

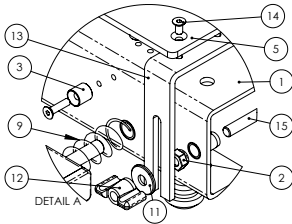
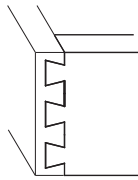
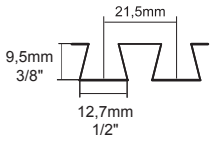
**DOVETAIL JIG**  
**ZINKENFRÄSGERÄT**  
**GABARIT A QUEUE D'ARONDE**  
**CINKOVACÍ SPOJOVACÍ ZAŘÍZENÍ**  
**CINKOVACIE SPOJOVACIE ZARIADENIE**  
**FOGAZÓ ÖSSZEKÖTŐ KÉSZÍTMÉNY**  
**URZĄDZENIE DO POŁĄCZEŃ NA JASKÓLCZY OGON**

<i>Operationg instructions</i>	<i>EN p. 4 - 12</i>
<i>Gebrauchsanweisung</i>	<i>DE S. 13 - 21</i>
<i>Mode d'emploi</i>	<i>FR s. 22 - 30</i>
<i>Návod k obsluze</i>	<i>CZ s. 31 - 39</i>
<i>Návod k obsluhe</i>	<i>SK s. 40 - 48</i>
<i>Használati útmutató</i>	<i>HU o. 49 - 57</i>
<i>Instrukcja obsługi</i>	<i>PL s. 58 - 67</i>

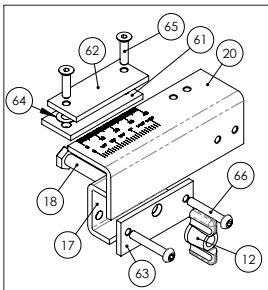
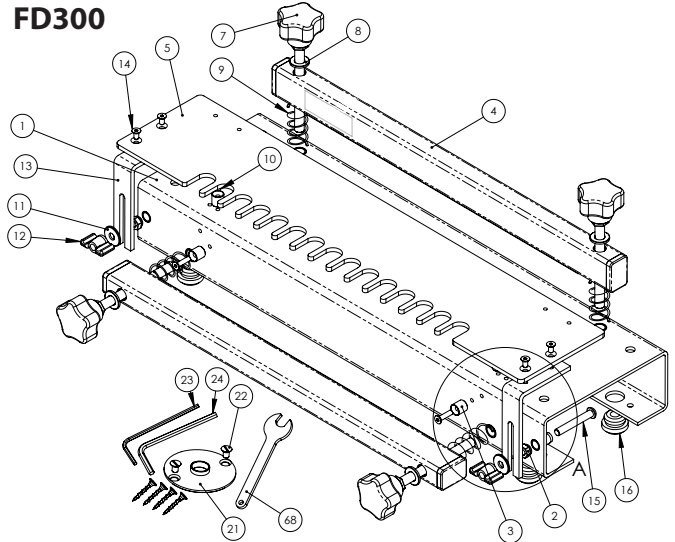
2024-11-08

man\_fd300-600\_A5br\_EN+DE+FR+CZ+SK+HU+PL\_v5.11

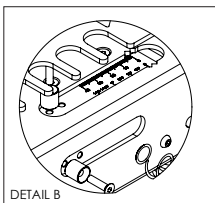
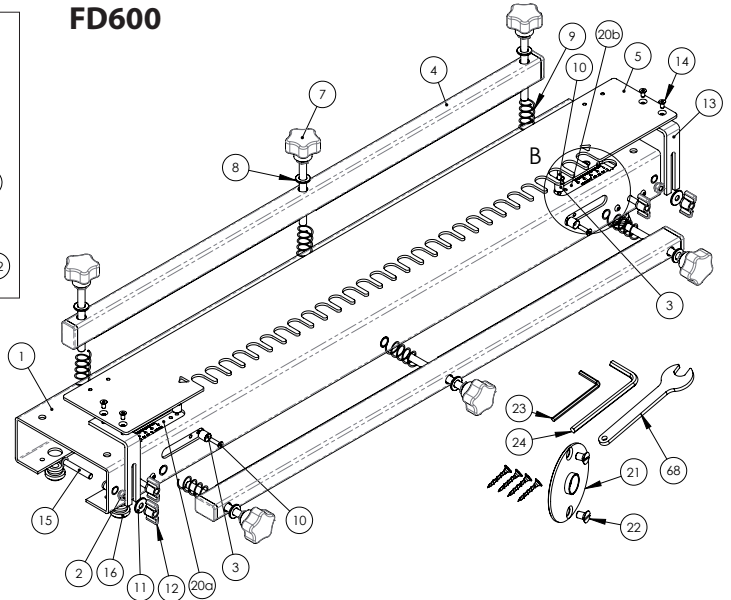
# FD300 / 600 1



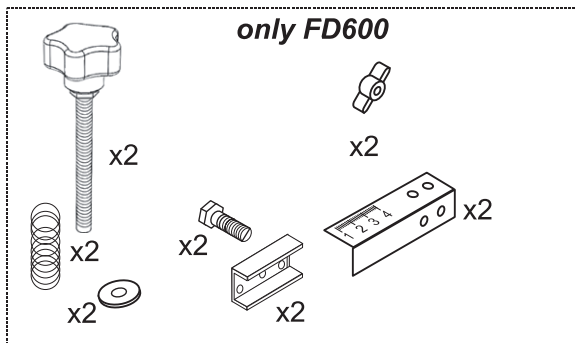
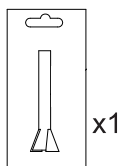
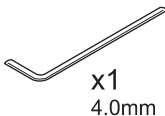
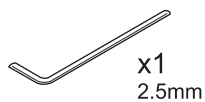
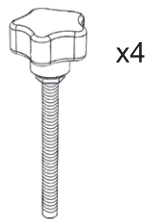
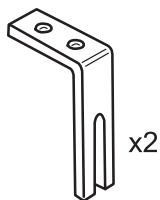
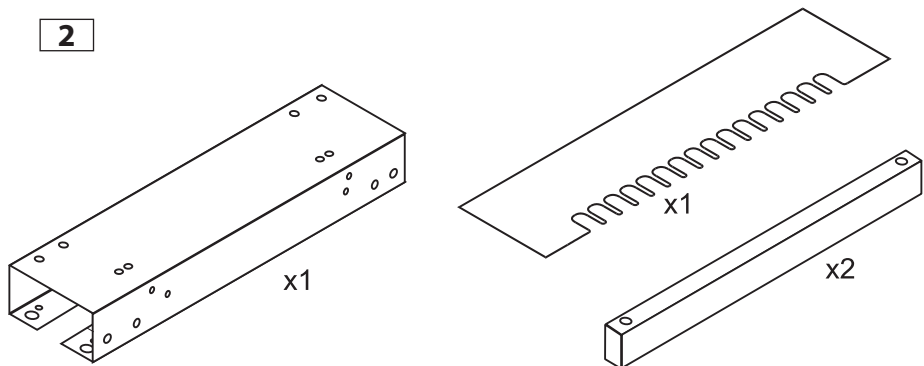
## FD300



## FD600



2



## FD300 & 600 DOVETAIL JIG

The **FD300 & 600** Dovetail Jig is designed to rout  $\frac{1}{2}$ " half blind dovetails using a dovetail router bit and a template guide bushing. The following optional accessories can be used to rout other kinds of joints:

- 6,35mm ( $\frac{1}{4}$ " ) half blind dovetails
- 8mm ( $\frac{5}{16}$ " ) box joints
- 12,7mm ( $\frac{1}{2}$ " ) box joints
- 12,7mm ( $\frac{1}{2}$ " ) through dovetails
- 19mm ( $\frac{3}{4}$ " ) through dovetails
- 32mm dowels joints

**Standard Equipment:**

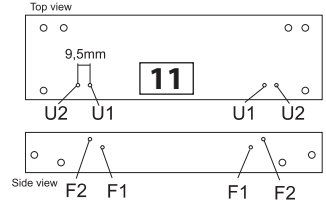
Joint size:  
 Max. stock width:  
 Stock thickness:  
 Template guide diameter:  
 Weight:  
 Max. dia. of router base:

**FD300**

half blind dovetail 12,7mm ( $\frac{1}{2}$ " )  
 305mm (12")  
 12-25mm ( $\frac{7}{16}$ " to 1")  
 15,8mm ( $\frac{5}{8}$ " )  
 6,9kg (15.2 pounds)  
 180mm ( $\frac{7-1}{16}$ " )

**FD600**

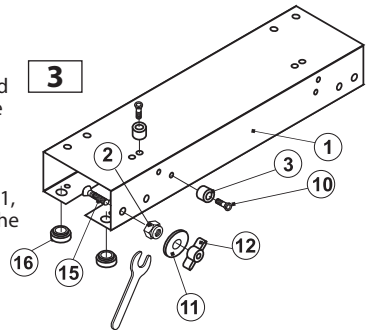
half blind dovetail 12,7mm ( $\frac{1}{2}$ " )  
 610mm (24")  
 12-25mm ( $\frac{7}{16}$ " to 1")  
 15,8mm ( $\frac{5}{8}$ " )  
 12,3kg (27 pounds)  
 180mm ( $\frac{7-1}{16}$ " )



**ASSEMBLY**

**Illustration 3**

Thread the screw # 15 into the body from the inside of the extrusion, using the hex key to tighten the screw. Thread the aircraft-type hex nut #2 onto screw #15 from the front of the jig. Slip on washer #11 and screw on the knob #12. Repeat this procedure on the other end of the jig.



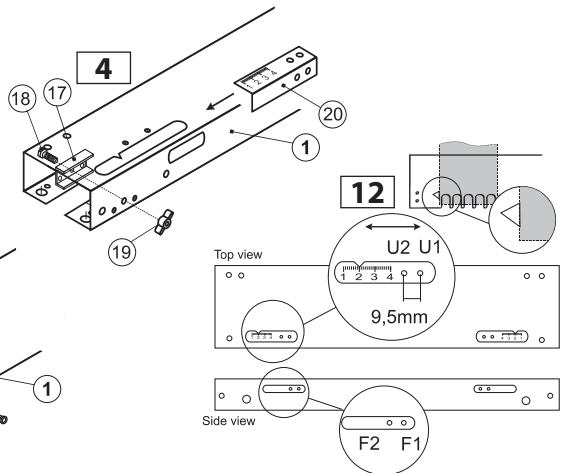
**Only for FD300**

Attach the edge guides #3 with screws #10. As shown in illustration 11, these guides should be placed in position "U1" on the top surface of the jig, and in position "F1" on the face of the jig. ( see illustration 11 )

**Only for FD600**

**Illustration 4-5**

Put sliding stop guides #.20 to the body between the spacers which are mounted in factory. Fit stop U-bracket #17 with screw #18 and slightly tighten female knob #19. Fit edge stops #3 with screws #10 in position U1 and F1 ( see illustration 12 ). Tighten the screws of the edge stops.



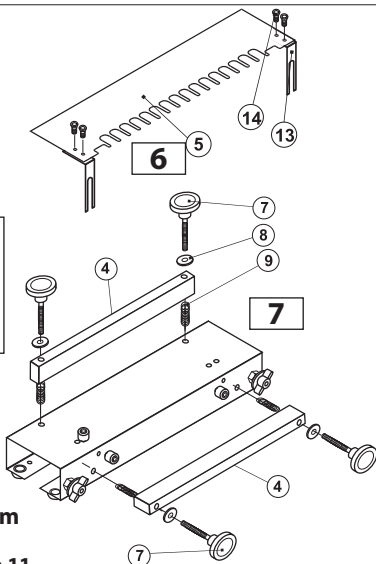
Attach the rubber feet #16 to the bottom of the jig.

### Illustration 6

Attach brackets #13 to template #5 with the countersunk holes upward, using screws #14.

### Illustration 7

Assemble the clamping bars #4, springs #9 and washers #8 as shown, and attach this assembly using the knobs #7.

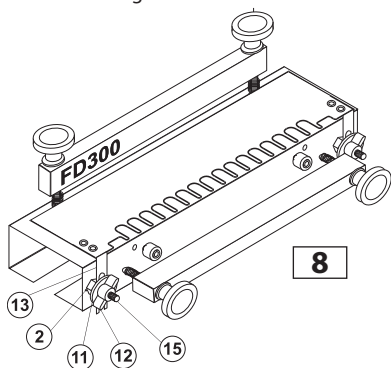


#### Only for FD600

FD600 middle clamp knobs male are provided when using workpiece less than 305mm. This ensures workpiece is held securely. When using workpiece over 305mm wide the middle knobs must be removed.

### Illustration 8

Attach the template with brackets to the jig. The template brackets #13 should slip between the template adjustment nut #2 and the washer #11. Tighten the knob #12.



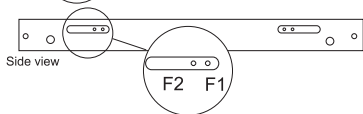
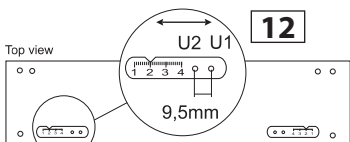
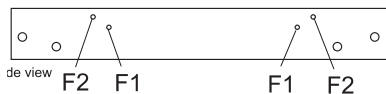
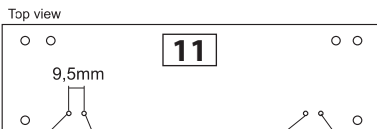
## Edge guide system

### FD300 Illustration 11

The edge guides are used to position the workpieces in the jig. There are four holes each in the top and face of the jig. The position of the edge guides will dictate whether a whole or partial pin will be cut on the edge of the workpiece. This is called the offset. If you wish to adjust the position of your workpiece to control the size of the first pin and make the joint symmetrical, simply make a spacer to place between the fixed edge guide and your workpiece.

**Note:** getting the pin placement symmetrical may require some test cuts in scrap stock.

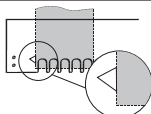
The distance between the edge guide locations marked as "U1" and "U2" on the top is 9,5mm (3/8"). This is for rabbeted drawer fronts.



### FD600 Illustration 12

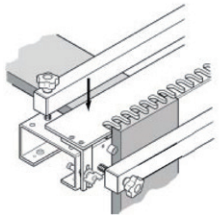
The FD600 has sliding stops. This enables the workpiece to be centered, giving a symmetrical dovetail joint. The sliding stop has a scale to allow a more precise offset to be calculated to ensure symmetrical joints.

- 1/ Loosen knob. Move sliding stop away from center of jig.
- 2/ Loosely fit workpiece under top clamp.
- 3/ Fit comb assembly ( template ) and tighten knobs.
- 4/ Move workpiece so that edge lines up with edge of sight hole on template - for lapped , dowel and through dovetails only. For the other templates see appropriate section.
- 5/ Lock top clamp bar knobs. Slide sliding stops towards edge of workpiece and lock in position with knob.
- 6/ Repeat for other side.



**Template adjustment Illustrations 13-14**

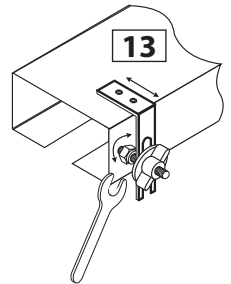
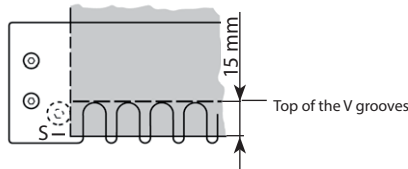
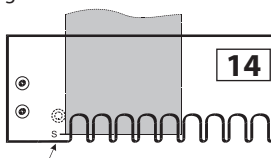
- 1) Depending upon the thickness of your stock, you will need to adjust the position of the template to control the depth of the pin sockets. Loosen the knobs #12, turn the hex nut #2 to move the template in or out in relation to the jig.
- 2) Turn adjustment nut towards jig body for deeper sockets, or out for shallower sockets.
- 3) To set up the position for the template, align the setting line S marked on the template with the front edge of workpiece that is secured by top clamp. This piece will be either the front or back of the drawer.
- 4) One turn of the adjustment nut equals 1mm movement.
- 5) Once the template is in position, tighten the knob.
- 6) Ensure template is always parallel to workpiece.



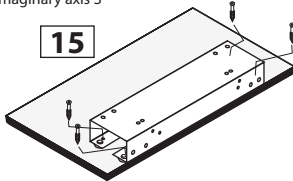
**Mark S (imaginary axis S parallel to the edge of the template) Illustration 14**

FD300 - the template has the S mark laser-etched.

FD600 - draw the S mark on the template at a distance of 15 mm from the top of the V grooves.



Imaginary axis S



**Mounting the jig on a workbench or work board Illustration 15**

Attach the jig body to a work board or workbench with the screws supplied.

**Aligning workpiece Illustration 16**

The top surface of the horizontal workpiece (drawer front or back) must be flush with the end of the vertical workpiece (drawer side). Be sure that both pieces are snug against the underside of the template.

**Clamping bars and knobs**

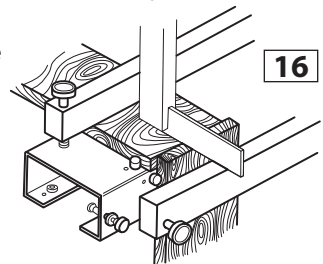
Do not overtighten the clamping bars and clamping knobs. The clamping bar must be tightened parallel to the jig. Unless your stock is very wide (nearly 305mm/12" for FD300 and 610mm/24" for FD600), the workpiece will be set to one side of the jig. In this case, it is advisable to release the clamping knob farthest from the workpiece first.

**Important notes:**

**All drawings show left hand edge guides being used. The same procedure is carried out for right hand edge guides**

**All dimensions are approximate.**

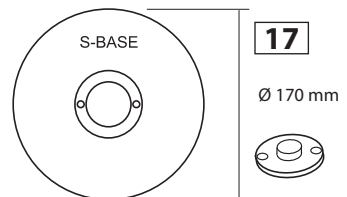
**All bit depths are as a guide only, make test cuts in scrap stock before routing joints in your workpiece.**



**Illustration 17**

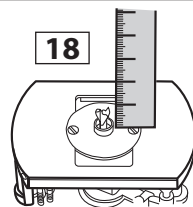
The template guides supplied with the jig and accessories will fit most DeWalt, Elu and other routers directly. For other models of routers an optional sub-base may be required to attach the template guides. The sub-base has been designed for use with a variety of routers. It also provides concentricity between router bit and template ensuring accuracy.

**The optional sub-base provides greater accuracy and concentricity of the template guide, resulting in more precise joints. We recommend the use of the sub-base with all types of routers which do not accept our template guides directly.**



### Setting up the Router

- 1) Always unplug the router before making any adjustments or changing bits.
- 2) Attach the template guide to the router. Refer to the table in each appropriate section.
- 3) To insert the bit, plunge the router so the collet almost touches the template guide.
- 4) Insert the router bit into collet and tighten.
- 5) Set router bit height as shown in illustration 18. Refer to table in relevant section.



### STANDARD 12,7mm (1/2") HALF BLIND DOVETAIL JOINT

Illustration 19-26

Use the standard template . Both parts of joint are routed at same time.

Joint Description	Edge Guide Information			Ø Guide Dimensions	Router Bit	Cutting depth
	Diameter	Colour	Position			
12,7mm (1/2") Half Blind FD300 & 600	Ø 10mm	Silver	U1	15,8mm 5/8"	Ø 1/2" x 1/2" Ø 12,7 x 12,7mm x 14°	13,5mm 17/32"
	Ø 10mm	Silver	F1			

### Stock preparation

It is important to plan your work before you start to rout.

Always label the workpieces as shown in Illustration 19.

FRONT / BACK / RIGHT / LEFT .

D = BOTTOM PART

X1 = LEFT PART

Y1 = FRONT PART

X2 = RIGHT PART

Y2 = FRONT PART

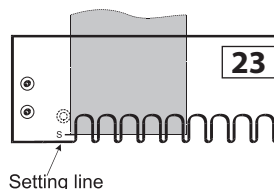
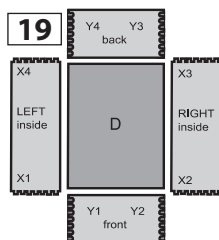
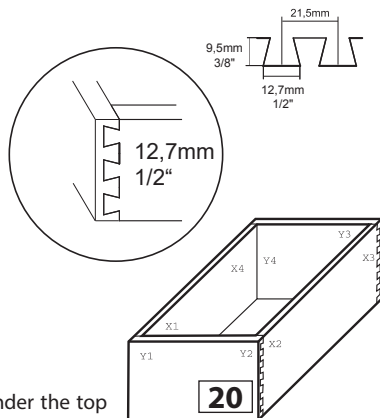
X3 = RIGHT PART

Y3 = BACK PART

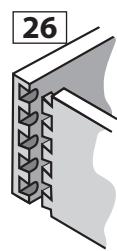
X4 = LEFT PART

Y4 = BACK PART

X parts will be clamped under the front clamp bar and Y parts under the top clamp bar. Even numbers are placed against left hand edge guide, odd numbers against right hand edge guide.



**Note: All dimensions shown in this manual do not include production tolerances of template guides, templates and router bit. Therefore use these dimensions as a guide only and always make a trial cuts before you start routing your drawers.**



**Workpiece width**

This 12,7mm (1/2") half blind template can be used with stock from 21,5mm (7/8") to 305mm (12") wide with FD300 or to 610mm (24") wide with FD600 . Pitch 21,5mm(7/8") with 3mm offset line x no.of tails = ideal stock width.

For symmetrical pin placement, use this table as a guide:

#of Whole Tails:		1	2	3	4	5	6	7	8
Ideal stock tails	mm	21,5	43	64,5	86	107,5	129	150,5	172
	inch	7/8"	1-11/16"	2-1/2"	3-3/8"	4-1/4"	5-1/6"	5-15/16"	6-3/4"

**SET UP**

- Attach edge guides to the jig in the positions listed in the table above.
- Place X workpiece into front clamp bar. Tighten front clamp knobs.
- Place Y workpiece into top clamp bar.
- Push Y workpiece tightly against the edge guide and workpiece X. Tighten top clamp knobs.
- Retighten X workpiece, so that the top of front X workpiece is flush with the top of workpiece Y and snugly against edge guide.
- Tighten front clamp knobs .
- Adjust template position to align the setting line with the edge of the workpiece under the top clamp. One rotation of template adjustment nut stop equals 1mm.
- Tighten template assembly knobs.
- Attach the template guide to the router base.
- Install the dovetail bit in the router.
- Adjust the cutting depth of the dovetail bit according to table.

**Note:** Recommended bit depths are approximate only, always make test cuts in scrap stock to determine the exact depth for your application!

**Caution!**

- **Ensure that both workpieces are clamped securely and that they touch the edge guides.**
- **Always clamp only one set of workpieces . Ensure that the router bit does not touch the template brackets before and after cutting the joint.**
- **Do not overtighten the knobs.**
- **Tighten or loosen the joint by increasing or decreasing cutting depth of dovetail bit.**



## Routing

- Place the router on the template ensuring that the router bit does not touch the workpiece.
- Switch on. Make one very light cut from left to right, cutting only the front edge. This prevents breakout.
- Rout carefully from left to right following the fingers of the template with the template guide.
- Switch off the router and carefully remove from jig.
- Check that all slots are routed clean. If not, rout again.
- Remove the workpiece from the jig.
- Test joint.

### ATTENTION!

**Do not lift the router from the template as damage to the template and router bit will occur.**

If the joint is not perfect :

- Joint too loose = increase cutting depth of router bit.
- Joint too tight = decrease cutting depth of router bit.
- Joint too shallow = move template towards the jig body.
- Joint too deep = move template away from the jig body.

## STANDARD RABBETED 12,7mm (1/2") HALF BLIND DOVETAIL JOINT Illustration 27-30

**Use standard template . Each part of joint is routed separately.**

**Note:** In most cases, the rabbeted joint is used only on the drawer front. If you wish to use a standard half blind joint to connect the drawer sides to the back, make this joint using the instructions in the previous section.

Joint Description	Edge Guide Information			Ø Guide Dimensions	Router Bit	Cutting depth
	Diameter	Colour	Position			
<b>12,7mm (1/2") Rabbeted Half Blind FD300 &amp; 600</b>	Ø 10mm	Silver	U2	15,8mm 5/8"	Ø 1/2" x 1/2" Ø 12,7 x 12,7mm x 14°.	13,5mm 17/32"
	Ø 10mm	Silver	F1			

## Set up

Attach edge guides to the jig in the positions listed in the table above.

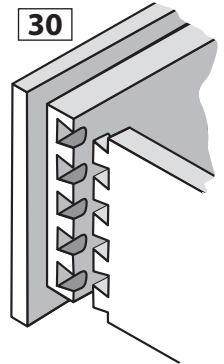
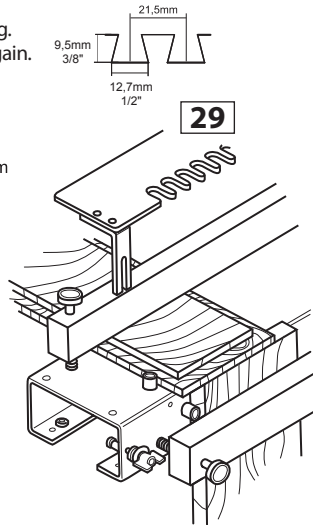
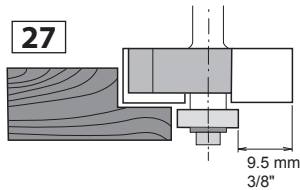
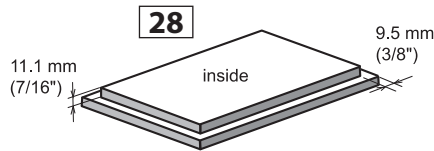
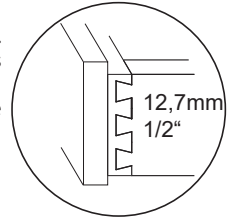
## Drawer front preparation

- Prepare workpiece about 19mm ( 3/4") longer and wider.
- Rout 9,5mm (3/8") wide and 11,1mm (7/16") deep rabbet into the edges of the workpiece.
- Place a 9,5mm (3/8") thick wooden spacer into front clamp and push tight against edge guide.
- Tighten the front clamp bar knobs .
- Place drawer front under the top clamp and butt against the wooden spacer and the edge guides. The top of the drawer front must be flush with the face of the spacer as shown in illustration 29.
- Tighten top clamp bar knobs.
- Remove the spacer from front clamp.
- Adjust the template position to align the setting line with the edge of drawer front. One rotation of adjustment nut equals 1mm.
- Tighten template assembly knobs.
- Attach template guide to router base.
- Install the dovetail bit in the router.
- Adjust the cutting depth of the dovetail bit according to the table.

**Note:** Recommended bit depths are approximate only, always make test cuts in scrap stock to determine the exact depth for your application!

## Routing the drawer front

- Place the router on the template ensuring that the router bit does not touch the workpiece.
- Switch on. Make one very light cut from left to right cutting along the front edge. This prevents breakout.
- Rout carefully from left to right following the fingers of the template with the template guide.
- Switch off the router and carefully remove from jig.
- Check that all slots are routed clean. If not, rout again.
- Remove the workpiece from the jig.
- Test joint.



## Drawer side preparation

- Place a 13mm (1/2") thick wooden spacer with the same width as the drawer under the top clamp.
- Place drawer sides into front clamp and push tight against edge guides. Ensure top of the drawer sides is flush with the upper surface of the wooden spacer.
- Tighten top and front clamp knobs.

## Routing drawer sides

- Place the router on the template ensuring that the router bit does not touch the workpiece.
- Switch on. Make one very light cut from left to right cutting only the front edge. This prevents the breakout.
- Rout carefully from left to right following the fingers of the template with the template guide.
- Switch off the router and carefully remove from jig.
- Check that all slots are routed clean. If not, rout again.
- Remove the workpiece from the jig.
- Test joint.

### **If the joint is not perfect :**

- Joint too loose = increase cutting depth of router bit.**
- Joint too tight = decrease cutting depth of router bit.**
- Joint too shallow = move template towards the jig body.**
- Joint too deep = move template away from the jig body.**

Operating manuals for OPTIONALS TEMPLATES

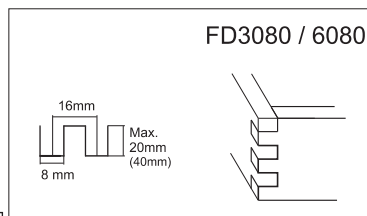
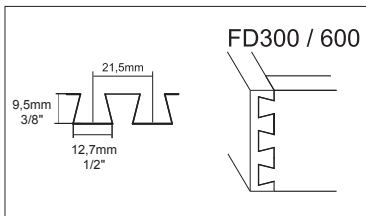
6,35mm (1/4") HALF BLIND DOVETAIL TEMPLATE  
 8mm (5/16") & 12,7mm (1/2") BOX JOINT TEMPLATES  
 12,7mm (1/2") & 19mm (3/4") THROUGH DOVETAIL TEMPLATE  
 32mm DOWELS JOINT  
 see inside each template packaging.

### SAFETY

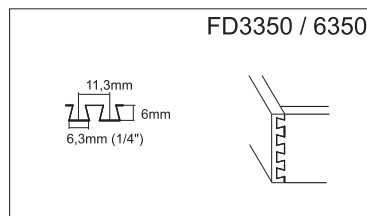
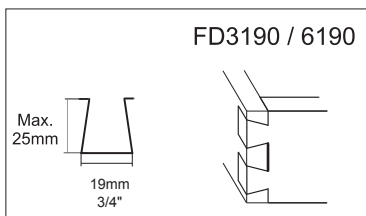
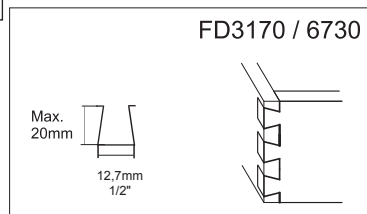
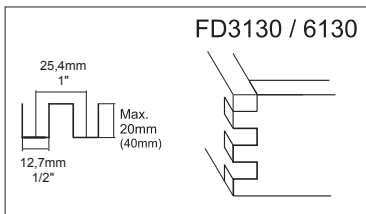
- Before changing router bit or making any kind of adjustment, always turn off and unplug your router.
- Use protective glasses during routing.
- Use hearing protectors.
- Always use a dust-protection mask or respirator.
- Use dust collection.
- Do not wear loose clothes. Make sure that your sleeves are either rolled up or fastened and that you are not wearing a tie.
- Before starting your router remove all tools, nuts and other loose object from the work area.
- Avoid an inadvertent start of your router. Before you plug it in, verify the switch is in "off" position.
- Before you make any adjustments, wait till your router cutter completely stops.

FD300 & 600 SPARE PARTS LIST			v.5	
Pos. #	Description	quantity	code	
1	Body FD300	1		
	Body FD600	1		
2	Adjusting template comb stop FD300 and FD600	2		
3	Edge guide	4	FD3001-03	
4	Clamp bar FD300	2	FD3001-95	
	Clamp bar FD600	2	FD6001-95	
5	Template comb 12,7mm half blind dovetail FD300	1	FD300-07	
	Template comb 12,7mm half blind dovetail FD600	1	FD600-07	
7	Clamp bar knob M8x90 FD300 and FD600	4	FS100119	
8	Washer 8 FD300 and FD600	4	FS101004	
9	Spring FD300 and FD600	4	FD6001-11	
10	Screw M4 x 16	4	FS200126	
11	Washer 6 FD300 and FD600	2		
12	Knob female M6 FD300 and FD600	2	FS100106	
13	Template brackets FD300 and FD600	2	FD6001-22	
14	Screw M4 x 8	4	FS200128	
15	Screw M6 FD300 and FD600	2		
16	Rubber feet	4	FS990002	
17	Sliding stop U-bracket FD600	2	FD6001-17	

18	Screw M6 FD600	2	FS200112
20	Sliding stop bar right FD600	1	FD6001-08A
	Sliding stop bar left FD600	1	FD6001-08B
21	Guide bush D15,8mm x 4mm	1	FGB158-04
22	Screw M5 x 8	2	FS200143
23	Hex key 2,5	1	F099-06200
24	Hex key 4 FD300	1	FS800005
68	Spanner 10 for FD300	1	FS800008
61	Sliding stop spacer upper 2 x M4 FD600	2	FD6001-15
62	Sliding stop spacer upper FD600	2	FD6001-16
63	Sliding stop spacer 2 x M4 FD600	2	FD6001-18
64	Shim 0,1mm (0,2mm) FD600	8	FS101013
65	Screw M4 x 12 FD600	4	
66	Screw M4 x 25 FD600	4	



**31**



## FD300 & 600 ZINKENFRÄSGERÄT

FD300 & 600 ermöglicht das Fräsen von einer 12,7mm (1/2") halbverdeckten Schwalbenschwanzverbindung mit einer Oberfräse mit eingespanntem Zinkenfräser und Kopierhülse.

Mit Zusatzschablonen (separat geliefert) wird das Fräsen von folgenden Verbindungen ermöglicht:

- 6,35mm (1/4") halbverdeckte Schwalbenschwanzverbindung
- 8mm (5/16") Fingerzinkenverbindung
- 12,7mm (1/2") Fingerzinkenverbindung
- 12,7mm (1/2") offene Schwalbenschwanzverbindung
- 19mm (3/4") offene Schwalbenschwanzverbindung
- 32mm Dübelverbindung

### Standardausrüstung:

Verbindungsgröße:

Max. Verbindungsbreite:

Werkstückdicke:

Kopierhülse-Durchmesser:

Gewicht:

Max. Durchmesser der Fräsbasis:

### FD300

Verbindungsgröße: halbverdeckte Schwalbenschwanzverbindung von 12,7mm (1/2")

Max. Verbindungsbreite: 305mm (12")

Werkstückdicke: 12-25mm (7/16" bis 1")

Kopierhülse-Durchmesser: 15,8mm (5/8")

Gewicht: 6,9kg (15.2 pounds)

Max. Durchmesser der Fräsbasis: 180mm (7-1/16")

### FD600

Verbindungsgröße: halbverdeckte Schwalbenschwanzverbindung von 12,7mm (1/2")

Max. Verbindungsbreite: 610mm (24")

Werkstückdicke: 12-25mm (7/16" bis 1")

Kopierhülse-Durchmesser: 15,8mm (5/8")

Gewicht: 12,3kg (27 pounds)

Max. Durchmesser der Fräsbasis: 180mm (7-1/16")

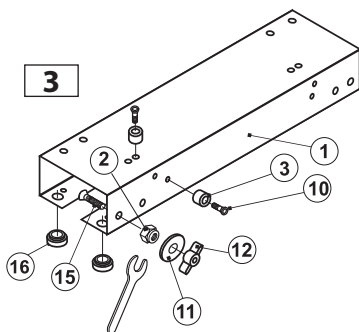
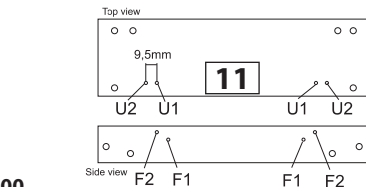
## AUFSTELLUNG DES GERÄTES

### Abbildung 3

Schraube #15 mittels Imbus-Schlüssel 4 (FD300) oder Imbus 5 (FD600) in Gerätkörper #1 einschrauben und Schraube sorgfältig anziehen. Aus anderer Seite auf die Schraube Anschlagmutter # 2 aufschrauben. Auf die Schraube Unterlage #11 aufsetzen und Steuerungsmutter # 12 anziehen. Diese Vorgehensweise auch auf der anderen Seite des Gerätes wiederholen.

### Nur für FD300

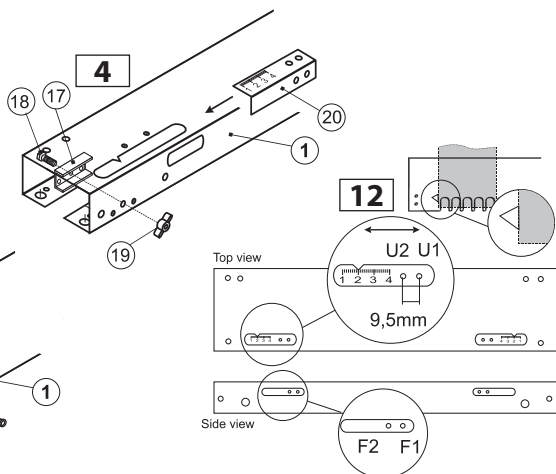
Anschläge #3 mittels Schrauben #10 in Gerätkörper #1 einschrauben. Anschläge in Positionen U1 auf Oberseite des Gerätes und in Positionen F1 auf Vorderseite des Gerätes anbringen, siehe Abbildung 11.



### Nur für FD600

### Abbildung 4-5

Zuerst den Schiebemesstab # 20 zwischen die bereits im Fertigungsbetrieb montierten Halter einschieben. Dann Befestigungsteil #17 mit Schraube #18 einlegen und mit Steuerungsmutter #19 leicht anziehen. Anschläge #3 mit Schrauben #10 in Positionen U1 und F1 einschrauben, siehe Abbildung 12. Schrauben der Anschläge festziehen.



GummifüÙe # 16 in jeweilige Lcher einschieben.

## Abbildung 6

Schablonenhalter # 13 auf Schablone # 5 schrauben. Dabei Schrauben #14 benutzen.

## Abbildung 7

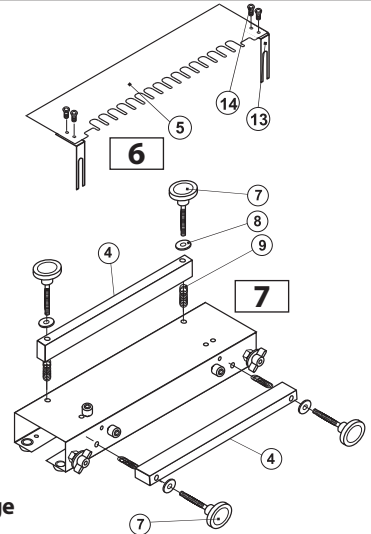
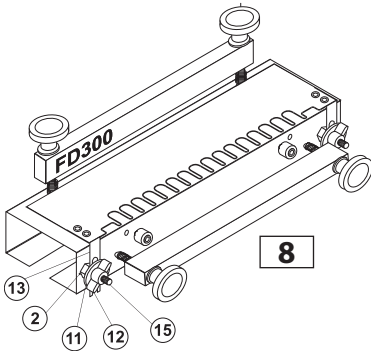
Oberen und vorderen Befestigungsstab #4 mit Steuerungsschrauben #7, Federn #9 und Unterlagen #8 festziehen.

### Nur fr FD600

Mit FD600 wird eine dritte, zentrale Steuerungsschraube geliefert. Diese ist nur bei einer Werkstckbreite unter 305mm (12") zu montieren.

## Abbildung 8

Montierte Schablone aufs Gert legen. Schablonenhalter #13 auf Schrauben #15 zwischen Anschlagmutter #2 und Unterlage #11 einfhren. Auf beiden Enden mit Steuerungsmuttern #12 festziehen.



## System der Anschlge FD300 Abbildung 11

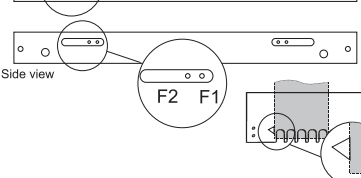
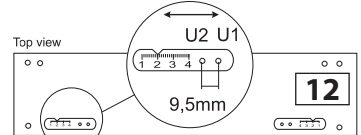
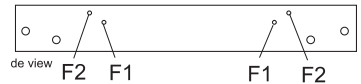
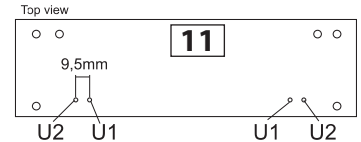
Die Anschlge dienen zur Positionierung der Werkstcke gegeneinander und gegenber der Schablone. Anschlge beim Gerttyp FD300 werden in Gertkrper fest geschraubt und deshalb bestimmen sie fix die Position der Schwalbenschwnze oder der Fingerzinken gegenber der Werkstckkante. Um eine zentrierte Verbindung zu bekommen, mssen die empfohlenen Werkstckbreiten je nach Verbindungstyp einhalten werden, siehe weiter. Die Achse der Verschiebung der lateralen Werkstckkante von erster Nute der Schablone wird nun **Lateralachse der Verbindungsposition** genannt.

Abstand zwischen U1 und U2 ist 9,5mm ( 3/8"). Dies ist fr geflzte Schubladenstirne.

### FD600 Abbildung 12

Anschlge bei FD600 sind beweglich - verstellbar. Dies ermglicht, Verbindung auf dem Werkstck zu zentrieren. Das System der verstellbaren Anshlge ist mit einem Messstab ausgestattet und dieser ermglicht, die Position der Verbindung auf dem Werkstck bei symmetrischen Verbindungen przis nachzuzentrieren.

- 1/ Steuerungsmutter des Systems der verstellbaren Anshlge lockern. Anshlge in Richtung von der Gertmitte weg bewegen.
- 2/ Werkstck frei unter oberen Befestigungsstab einfhren.
- 3/ Schablone aufs Gert legen und mit Steuerungsmuttern festziehen.
- 4/ Werkstck so bewegen, bis die Werkstckkante mit der Kante des Indikators auf der Schablone parallel ist - nur fr halbverdeckte Schwalbenschwanzverbindungen, offene Schwalbenschwanzverbindungen und Dbelverbindung. Fr Fingerzinkenverbindungen siehe jeweiliges Kapitel.
- 5/ Oberen Befestigungsstab festziehen. Anshlge in Richtung zur Werkstckkante so bewegen, dass sie das Werkstck berhren, Anshlge mit Steuerungsmutter festziehen.
- 6/ Diese Vorgehensweise auch auf der anderen Seite wiederholen.



**ACHTUNG:** Einstellung des Gerätes zuerst mit einem Abfallmaterial probieren um eine perfekt symmetrische Verbindung zu bekommen.

### Einstellung der Schablone **Abbildung 13-14**

1/ Steuerungsmutter #12 lockern.

2/ Anschlagmutter #2 in Richtung zum Gerät drehen um eine tiefere Verbindung zu bekommen, Anschlagmutter in Richtung weg vom Gerät drehen um eine flachere Verbindung zu bekommen.

3/ Sobald die Position, wenn sich die Marke S auf der Schablone mit der Vorderkante des Werkstücks deckt, erreicht wird, hören Sie auf die Anschlagmutter zu drehen. Eine Umdrehung der Anschlagmutter entspricht nun einer Verschiebung der Schablone um 1 mm.

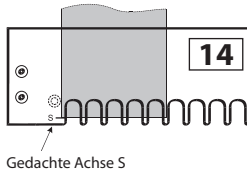
4/ Schablonenhalter mit Befestigungsmutter festziehen.

5/ Immer darauf achten, dass die Schablone mit der Gerätkörper-Kante parallel ist.

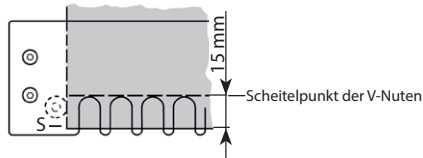
### Markierung S (gedachte Achse S parallel zur Kante der Schablone) **Abbildung 14**

FD300 - die Schablone hat die Markierung S eingelasert.

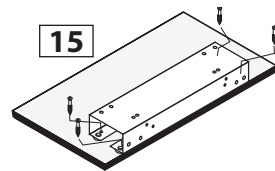
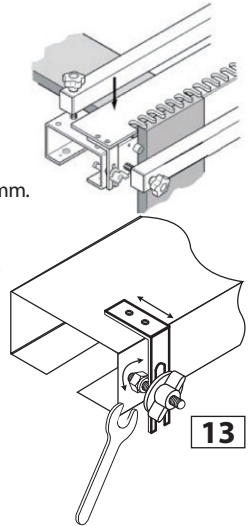
FD600 - zeichnen Sie die Markierung S auf die Schablone in einem Abstand von 15 mm vom Scheitelpunkt der V-Nuten



Gedachte Achse S



Scheitelpunkt der V-Nuten



### Montage an Arbeitstisch oder an Arbeitsoberfläche **Abbildung 15**

Mit beigelegten Holzschrauben das Gerät an Arbeitstisch oder an Arbeitsfläche festziehen.

### Ausrichtung der Werkstücke **Abbildung 16**

Werkstücke immer gegeneinander sorgfältig ausrichten. Der auf der oberen Oberfläche des Gerätes angebrachte Teil muss immer am vorderen Werkstück und am auf der Oberseite verwendeten Anschlag angelegt sein. Das auf der Vorderseite angebrachte Werkstück muss mit der oberen Kante des oben angebrachten Werkstückes ausgerichtet sein und muss am auf der Vorderseite verwendeten Anschlag angelegt sein.

### Befestigungsstäbe und Steuerungsschrauben und -Muttern

Bitte die Steuerungsschrauben und -Muttern nicht übermäßig festziehen. Befestigungsstab muss parallel zum Gerätkörper angezogen werden. Wenn Sie auf einer Seite arbeiten, beginnen Sie, die Steuerungsschraube zuerst auf der anderen Seite zu lockern.

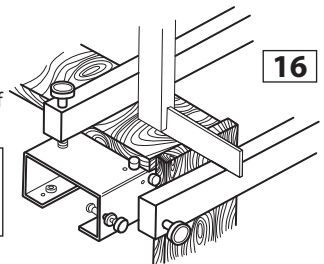
#### Nur für FD600

Mit FD600 wird eine dritte, zentrale Steuerungsschraube geliefert. Diese ist nur bei einer Werkstückbreite unter 305mm (12") zu montieren.

#### Hinweis:

**Alle Abbildungen zeigen die Herstellung einer Verbindung auf der linken Seite des Gerätes. Wiederholen Sie die gleiche Vorgehensweise für die rechte Seite des Gerätes. Wir weisen darauf hin, dass alle angegebenen Maßen nur approximativ sind.**

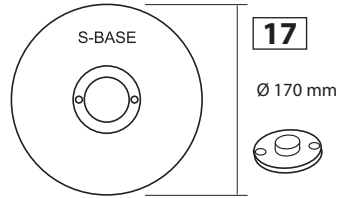
**Alle angegebenen Einstellungen der Frästiefe sind nur Musterangaben. Vor Herstellung der eigenen Verbindung zuerst einen Probeschnitt mit Abfallmaterial durchführen.**



**Einstellung der Oberfräse**

**Abbildung 17**

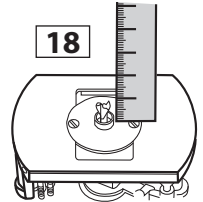
Kopierhülsen werden mit dem Gerät geliefert und sie können in einige Typen von Oberfräsen z.B. DeWalt, Elu und anderen direkt montiert werden. Für andere Modelle ist eine S-BASE-Reduktionsplatte zu verwenden. Die Reduktionsplatte wird als Zubehör für die Kopierhülsen geliefert und sie ermöglicht die Montage von Kopierhülsen auf alle Typen der marktüblichen Oberfräsen.



**S-BASE präzisiert die Zentrierung zwischen dem Schaftfräser und der Kopierhülse für wesentlich genauere Verbindungen. Deshalb wird empfohlen, solche Reduktionsplatten immer zu verwenden, wenn es nicht möglich ist, die Kopierhülse in Ihre Oberfräse direkt zu montieren.**

Vorgehensweise für Einspannung und Zentrierung der Kopierhülse ist in Gebrauchsanweisung zu S-BASE zu finden.

- 1) Vor Einstellung oder vor Werkzeugaustausch ist die Oberfräse immer aus dem Netz zu nehmen.
- 2) Kopierhülse auf Oberfräse legen. Kopierhülse-Durchmesser unterscheidet je nach Verbindungstyp, siehe Tabelle in jeweiligem Teil der Gebrauchsanweisung.
- 3) Oberfräse höchstens auf unteren Anschlag so senken, dass das Spannfutter die Kopierhülse fast berührt.
- 4) Schaftfräser ins Spannfutter der Oberfräse einführen und festziehen.
- 5) Arbeitstiefe des Schaftfräasers nach Tabelle zu jeweiligem Verbindungstyp einstellen, siehe Abbildung 18.



**SCHABLONE FÜR 12,7mm (1/2“) HALBVERDECKTE SCHWALBENSCHWANZ-VERBINDUNG**  
**Abbildungen 19-26**

Verwendung mit Standardschablone. Beide Werkstücke werden auf einmal gefräst.

Verbindung	Anschläge			Kopierhülse - Ø	Schaftfräser	Schnitttiefe
	Durchmesser	Farbe	Position			
12,7mm (1/2“) Halberdeckte Schwalbenschwanz FD300 & 600	Ø 10mm	silbern	U1	15,8mm 5/8"	Ø 1/2" x 1/2" Ø 12,7 x 12,7mm x 14°.	13,5mm 17/32"
	Ø 10mm	silbern	F1			

**Vorbereitung des Materials**

Vor dem Fräsen ist es von großer Bedeutung, Ihre Arbeit zu planen und vorzubereiten. Das FD300 & 600 ermöglicht Ihnen, beide Teile der Verbindung auf einmal herzustellen.

Die einzelnen Teile der Schublade sind immer zu bezeichnen wie auf **Abbildung 19** gezeigt wird.

VORDERER / HINTERER / RECHTER / LINKER .

BODEN\_ UNTERTEIL

X1\_ LINKER TEIL

Y1\_ VORDERER TEIL

X2\_ RECHTER TEIL

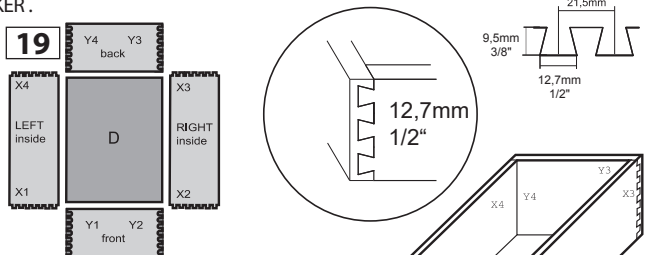
Y2\_ VORDERER TEIL

X3\_ RECHTER TEIL

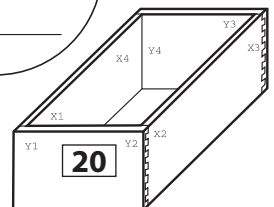
Y3\_ HINTERER TEIL

X4\_ LINKER TEIL

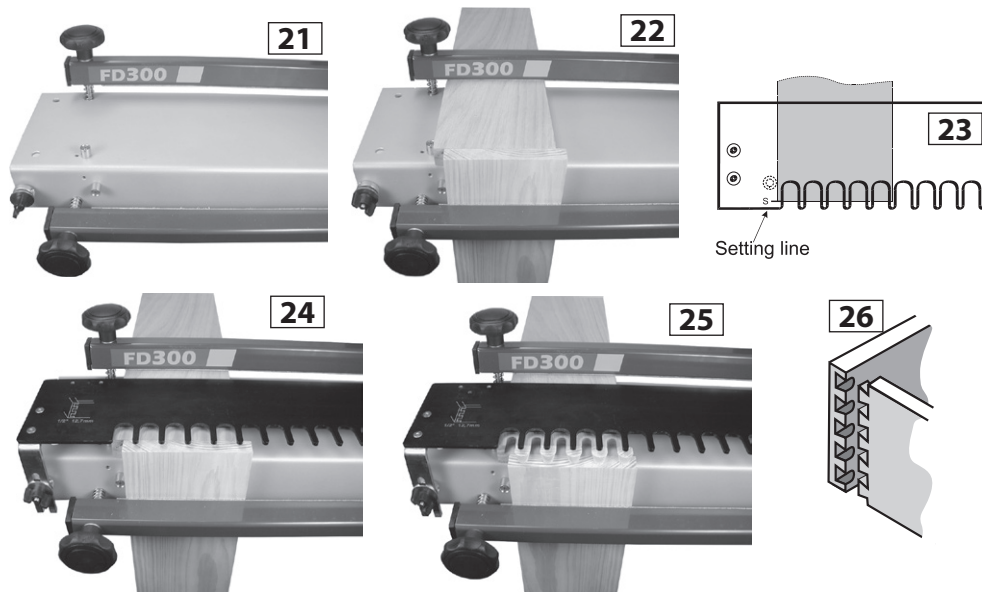
Y4\_ HINTERER TEIL



Teile X sind unter vorderen Befestigungsstab und Teile Y unter oberen Befestigungsstab einzuführen. Mit geraden Zahlen markierte Teile sind an die Anschläge auf linker Seite anzulegen, mit ungeraden Zahlen markierte Teile an die Anschläge auf rechter Seite.







### Hinweis:

Die in diesem Handbuch erwähnten Maßen einbeschließen nicht die allfälligen Toleranzen bei Herstellung von Kopierhülsen, Schablonen und Fräsern. Deshalb sind diese Maßen als Orientierungsmaßen zu betrachten und immer vor Herstellung der eigenen Verbindung ist es empfehlenswert, eine Probeherstellung vorzunehmen.

### Werkstückbreite

Für die Schablone für 12,7mm ( $\frac{1}{2}$ " ) halbverdeckte Schwalbenschwanzverbindung mit FD300 kann jede Werkstückbreite zwischen 21,5mm ( $\frac{7}{8}$ " ) und 305mm (12" ) und mit FD600 zwischen 21,5mm ( $\frac{7}{8}$ " ) und 610mm (24" ) verwendet werden. Um ideale Werkstückbreite für eine symmetrische Verbindung zu wählen, verwenden Sie folgende Tabelle:

#Anzahl der Zinken:		1	2	3	4	5	6	7	8
Ideal-breite	mm	21,5	43	64,5	86	107,5	129	150,5	172
	inch	$\frac{7}{8}$ "	1-11/16"	2-1/2"	3-3/8"	4-1/4"	5-1/6"	5-15/16"	6-3/4"

### Einstellung

- Anschläge in Positionen nach Tabelle einschrauben.
- Teil X unter vorderen Befestigungsstab so einführen, dass er über die Gerätkante hinausgeht. Befestigungsstab leicht anziehen.
- Teil Y unter oberen Befestigungsstab einführen.
- Teil Y an Seitenanschlag und an Teil X anlegen. Oberen Befestigungsstab festziehen.
- Position des Teiles X so ändern, dass er nicht über Teil X hinausgeht und gleichzeitig am Anschlag anliegt.
- Teil X mit vorderem Befestigungsstab festziehen.
- Schablone aufs Gerät mit Kopierausschnitten zu Ihnen gerichtet legen.
- Schablone so einstellen, dass sich die Marke S auf der Schablone mit der Vorderkante des unter oberem Befestigungsstab angebrachten Werkstückes überdeckt. Eine Umdrehung der Anschlagmutter entspricht nun einer Verschiebung der Schablone um 1mm (wird auf beiden Seiten des Gerätes durchgeführt).
- Schablone mit Steuerungsmuttern festziehen.
- Kopierhülse nach Tabelle in Fräsbasis einführen.
- Werkzeug – Schwalbenschwanzfräser nach Tabelle – in Oberfräse einspannen.
- Frästiefe nach Tabelle einstellen.

**Achtung:** Die empfohlene Frästiefe ist nur approximativ, um eine genaue Frästiefe zu erreichen, ist immer ein Probeschnitt mit Testmaterial zu machen.

**Achtung!**

- **Versichern Sie sich, dass beide Werkstücke sicher befestigt sind und dass sie die Anschläge berühren.**
- **Immer nur einen Satz der Teile befestigen. Versichern Sie sich, dass der Schafffräser vor dem Fräsen und während des Fräsens die Schablonenhalter nicht berührt.**
- **Steuerungsmuttern nicht übermäßig anziehen, Überdrehungsgefahr.**
- **Erhöhung oder Senkung der Schnitttiefe führt zu engerer oder lockerer Verbindung.**

**Fräsen**

- Oberfräse auf Schablone so legen, dass der Fräser das Werkstück nicht berührt.
- Oberfräse einschalten und einen Flachschnitt von links nach rechts durchführen. Nur Vorderkante fräsen. Diese Vorgehensweise verhindert Gratbildung auf der Kante.
- Nun sorgfältig von links nach rechts fräsen und mit Kopierhülse die Schablonen-Ausschnitte kopieren.
- Oberfräse ausschalten und außerhalb des Gerätes legen.
- Überprüfen, ob alle Zinken rein gefräst sind. Sollten irgendwo Materialreste bleiben, Fräsen ohne Änderung der Einstellung wiederholen!!!
- Teile aus dem Gerät entnehmen.
- Hergestellte Verbindung probieren.

**ACHTUNG! Oberfräse über die Schablone nicht heben, Schablone und Schafffräser könnten beschädigt werden.**

**Verbindung ist nicht perfekt :**

- zu lose Verbindung = Schnitttiefe des Schafffräasers erhöhen**
- zu enge Verbindung = Schnitttiefe des Schafffräasers senken**
- zu flache Verbindung = Schablone zum Gerät schieben**
- zu tiefe Verbindung = Schablone vom Gerät schieben**

**SCHABLONE FÜR gefälzte 12,7mm (1/2") HALBVERDECKTE SCHWALBENSCHWANZVERBINDUNG**

**Abbildungen 27-30**

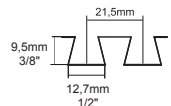
**Verwendung mit Standardschablone. Jeder Teil wird getrennt gefräst.**

**Hinweis:** In vielen Fällen ist die gefälzte halbverdeckte Verbindung nur für Schubladen-Stirne verwendet. Wollen Sie Seitenteil der Schublade mit Hinterteil mit einer Standard- halbverdeckten Schwalbenschwanzverbindung verbinden, verwenden Sie für Ihre Herstellung die im vorigen Teil dieser Gebrauchsanweisung angeführten Informationen.

Verbindung	Anschläge			Kopierhülse -Ø	Schafffräser	Schnitttiefe
	Durchmesser	Farbe	Position			
<b>12,7mm (1/2") halbverdeckte gefälzt FD300 &amp; 600</b>	Ø 10mm	silbern	U2	15,8mm 5/8"	Ø 1/2" x 1/2" Ø 12,7 x 12,7mm x 14°.	13,5mm 17/32"
	Ø 10mm	silbern	F1			

**Einstellung des Gerätes**

Anschläge in Positionen nach Tabelle einschrauben.



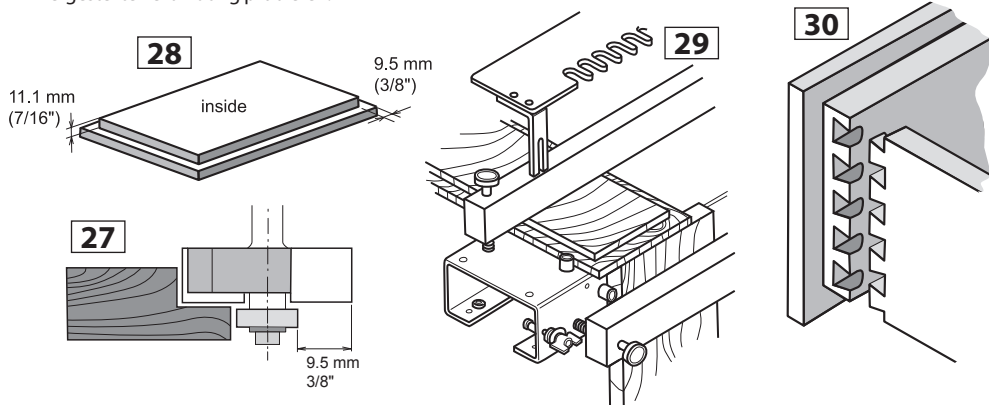
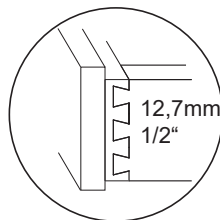
### Vorbereitung des gefälzten Schubladen-Stirnteiles

- Einen um 19mm (3/4") längeren und breiteren Teil vorbereiten, **Abbildung 28**.
- Eine Halbnute von 9,5mm (3/8") Breite und 11,1mm (7/16") Tiefe auf dem ganzen Umfang des Werkstückes fräsen, siehe **Abbildungen 27 & 28**.
- Unter vorderen Befestigungsstab ein Hilfswerkstück mit Dicke von 9,5mm (3/8") einführen und an Anschlag anlegen.
- Vorderen Befestigungsstab festziehen.
- Das gefälzte Werkstück unter oberem Befestigungsstab einführen und so ausrichten, dass er über die Kante des unter dem vorderen Befestigungsstab angebrachten Werkstückes nicht hinausgeht und dass er am Anschlag anliegt, **Abbildung 29**.
- Oberen Befestigungsstab festziehen.
- Hilfsstück von dem vorderen Befestigungsstab abnehmen.
- Schablone aufs Gerät legen so, dass die Kopierausschnitte zu Ihnen gerichtet sind.
- Schablone so einstellen, dass sich die Marke 5 auf der Schablone mit der vorderen Seite der Falzung des unter oberem Befestigungsstab angebrachten Teiles überdeckt. Eine Umdrehung der Anschlagmutter entspricht nun einer Verschiebung der Schablone um 1mm (wird auf beiden Seiten des Gerätes durchgeführt).
- Schablone mit Steuerungsmuttern befestigen.
- Kopierhülse nach der Tabelle in Oberfräsbasis einführen.
- Werkzeug – Schwalbenschwanzfräser nach Tabelle – in Oberfräse einspannen.
- Frästiefe nach der Tabelle einstellen.

**Achtung:** Die empfohlene Frästiefe ist nur approximativ, um eine genaue Frästiefe zu erreichen ist immer ein Probeschnitt mit Testmaterial zu machen.

### Fräsen

- Oberfräse auf Schablone so legen, dass der Fräser das Werkstück nicht berührt.
- Oberfräse einschalten und einen Flachschnitt von links nach rechts durchführen. Nur Vorderkante fräsen. Diese Vorgehensweise verhindert Gratbildung auf der Kante.
- Nun sorgfältig von links nach rechts fräsen und mit Kopierhülse die Schablonen-Ausschnitte kopieren.
- Oberfräse ausschalten und außerhalb des Gerätes legen.
- Überprüfen, ob alle Zinken rein gefräst sind. Sollten irgendwo Materialreste bleiben, Fräsen ohne Änderung der Einstellung wiederholen!!!
- Teile aus dem Gerät nehmen.
- Hergestellte Verbindung probieren.



### Seitenteil der Schublade

- Ein Hilfsteil von gleicher Breite wie der Seitenteil und von 13mm Dicke unter oberem Befestigungsstab einführen.
- Seitenteil unter vorderen Befestigungsstab einführen. Beide Werkstücke zum Endanschlag ausrichten und mit Winkel überprüfen, ob die Teile wirklich ausgerichtet sind.
- Beide Teile mit Befestigungsstäben festziehen.
- Schablone mit Haltern aufs Gerät legen und mit Steuerungsmuttern festziehen.

**Fräsen**

- Oberfräse auf Schablone so legen, dass der Fräser das Werkstück nicht berührt.
- Oberfräse einschalten und einen Flachschnitt von links nach rechts durchführen. Nur Vorderkante fräsen. Diese Vorgehensweise verhindert Gratbildung auf der Kante.
- Nun sorgfältig von links nach rechts fräsen und mit Kopierhülse die Schablonen-Ausschnitte kopieren.
- Oberfräse ausschalten und außerhalb des Gerätes legen.
- Überprüfen, ob alle Zinken rein gefräst sind. Sollten irgendwo Materialreste bleiben, Fräsen ohne Änderung der Einstellung wiederholen!!!
- Teile aus dem Gerät entnehmen.
- Hergestellte Verbindung probieren.

**Verbindung ist nicht perfekt :**

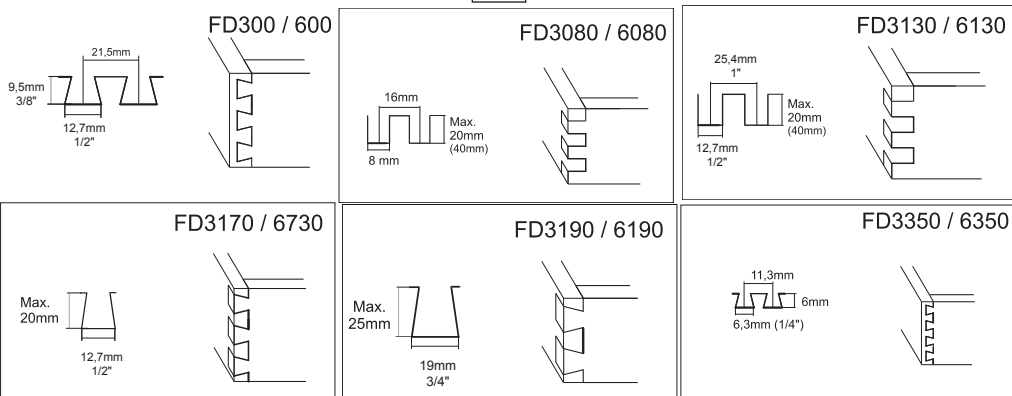
- zu lose Verbindung = Schnitttiefe des Schafffräasers erhöhen**
- zu enge Verbindung = Schnitttiefe des Schafffräasers senken**
- zu flache Verbindung = Schablone zum Gerät schieben**
- zu tiefe Verbindung = Schablone vom Gerät schieben**

**SICHERHEIT**

- Vor Austausch des Schafffräasers oder bei Einstellung die Oberfräse immer ausschalten und vom Netz trennen.
- Beim Fräsen Schutzbrille verwenden.
- Hörschuttmittel verwenden.
- Immer eine Luftschutzmaske oder einen Respirator benutzen.
- Absauggerät verwenden.
- Keine lose Kleidung tragen. Versichern Sie sich, dass Sie keine freien Ärmel und keinen Schlips anhaben.
- Vor Einschaltung der Oberfräse alle Werkzeuge, Muttern, Schlüssel und andere freie Gegenstände aus dem Arbeitsbereich beseitigen.
- Ungewünschte Einschaltung der Oberfräse vorbeugen: vor Einstöpseln und Schaltung ins Netz überprüfen, ob sich der Schalter in Stellung „aus“ befindet.
- Vor jeder Einstellung abwarten, bis der Fräser von selber in Stillstand kommt.

FD300 & 600 ERSATZTEILLISTE			v.5	
Pos. #	Beschreibung	Menge	Bestell.-Nr.	
1	Gerätkörper FD300	1		
	Gerätkörper FD600	1		
2	Anschlagmutter des Schablonenhalters FD300 und FD600	2		
3	Anschlag	4	FD3001-03	
4	Befestigungsstab FD300	2	FD3001-95	
	Befestigungsstab FD600	2	FD6001-95	
5	Schablone für 12,7mm halbverdeckte Schwalbenschwanzverbindung FD300	1	FD300-07	
	Schablone für 12,7mm halbverdeckte Schwalbenschwanzverbindung FD600	1	FD600-07	
7	Steuerungsschraube M8x90 FD300 und FD600	4	FS100119	
8	Unterlage 8 FD300 und FD600	4	FS101004	
9	Feder FD300 und FD600	4	FD6001-11	

10	Schraube M4 x 16	4	FS200126
11	Unterlage 6 FD300 und FD600	2	
12	Steuerungsmutter M6 FD300 und FD600	2	FS100106
13	Schablonenhalter FD300 und FD600	2	FD6001-22
14	Schraube M4 x 8	4	FS200128
15	Schraube M6 FD300 und FD600	2	
16	Gummifuss	4	FS990002
17	Befestigungs-U-Profile FD600	2	FD6001-17
18	Schraube M6 FD600	2	FS200112
20	Schiebebasis mit Messstab rechts FD600	1	FD6001-08A
	Schiebebasis mit Messstab links FD600	1	FD6001-08B
21	Kopierhülse D15,8mm x 4mm	1	FG158-04
22	Schraube M5 x 8	2	FS200143
23	Imbus-Schlüssel 2,5	1	F099-06200
24	Imbus-Schlüssel 4 FD300	1	FS800005
68	Schlüssel 10 für FD300	1	FS800008
61	Stützunterlage oben 2 x M4 FD600	2	FD6001-15
62	Stützunterlage oben FD600	2	FD6001-16
63	Stützunterlage 2 x M4 FD600	2	FD6001-18
64	Distanzunterlage 0,1mm (0,2mm) FD600	8	FS101013
65	Schraube M4 x 12 FD600	4	
66	Schraube M4 x 25 FD600	4	

**31**


## FD300 & 600 GABARIT A QUEUE D'ARONDE

Le FD300 & 600 permet de fraiser un assemblage à queue d'aronde demi-caché de 12,7mm (1/2") à l'aide d'une défonceuse avec une fraise à queue d'aronde montée et avec une bague de copiage.

Avec des peignes additionnels (fourni séparément), elle permet de fraiser :

- assemblage à queue d'aronde demi-caché de 6,35mm (1/4")
- assemblage à tourillon de 8mm (5/16")
- assemblage à tourillon de 12,7mm (1/2")
- assemblage à queue d'aronde ouvert de 12,7mm (1/2")
- assemblage à queue d'aronde ouvert de 19mm (3/4")
- assemblage à mèche de 32mm

### Équipement standard:

Dimension de l'assemblage :  
 Largeur de l'assemblage max. :  
 Épaisseur de la pièce:  
 Diamètre de la bague de copiage:  
 Poids:  
 Diamètre max. de base de défonceuse:

### FD300

queue d'aronde demi-caché de 12,7mm (1/2")  
 305mm (12")  
 12-25mm (7/16" to 1")  
 15,8mm (5/8")  
 6,9kg (15.2 livres)  
 180mm (7-1/16")

### FD600

queue d'aronde demi-caché de 12,7mm (1/2")  
 610mm (24")  
 12-25mm (7/16" to 1")  
 15,8mm (5/8")  
 12,3kg (27 livres)  
 180mm (7-1/16")

### MISE EN PLACE

#### Figure 3

Vissez le boulon #15 par la clé imbus 4 (FD300) ou imbus 5 (FD600) dans le corps du dispositif #1 et serrez le boulon soigneusement. De l'autre côté vissez l'écrou d'arrêt #2 sur le boulon. Ensuite mettez sur le boulon la rondelle #11. et vissez l'écrou de réglage # 12. Répétez ce procédé aussi pour l'autre côté du dispositif.

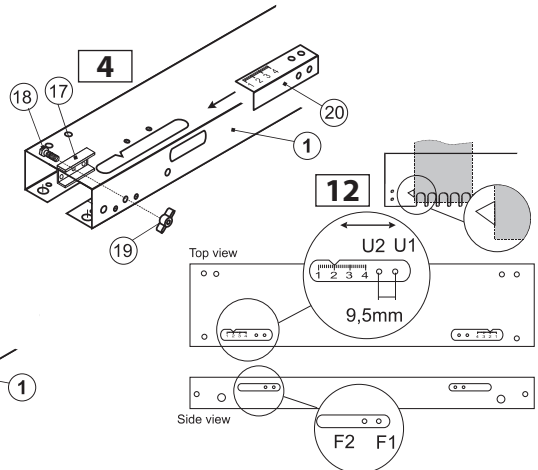
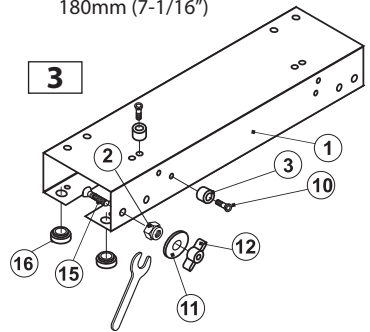
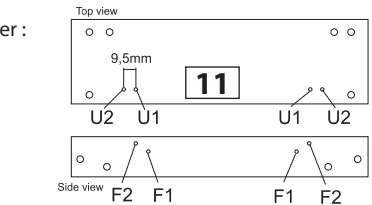
#### Uniquement pour FD300

Vissez les arrêts #3 par les boulons #10. dans le corps #1. Placez les arrêts dans des positions U1 sur le côté supérieur du dispositif et F1 sur le côté antérieur, voir **figure 11**.

#### Uniquement pour FD600

#### Figure 4-5

Tout d'abord insérez le pied à coulisse # 20 entre les supports déjà montés dans l'usine de fabrication. Ensuite mettez le U-profile de serrage #17 avec le boulon #18 et vissez légèrement l'écrou de réglage #19. Vissez les arrêts #3 par les boulons #10 dans de positions U1 et F1, voir **figure 12**. Serrez les boulons des arrêtes.



Insérez les pieds en caoutchouc # 16 dans des trous particuliers.

**Figure 6**

Vissez les supports de peigne # 13 au peigne # 5. Utilisez les boulons # 14.

**Figure 7**

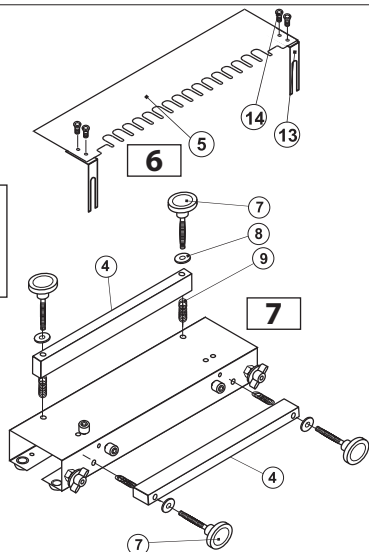
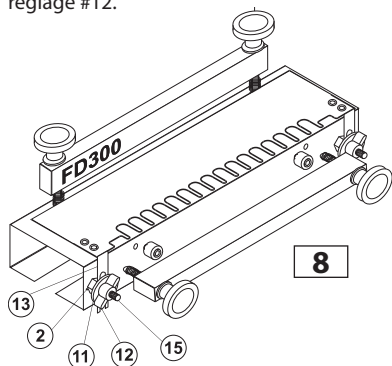
Fixez les barres de serrage supérieures et frontales # 4, à l'aide des boulons de réglage #.7, ressorts #9 et rondelles #8.

**Uniquement pour FD600**

Le FD600 est fourni avec un troisième boulon de réglage central pour les barres de serrage. Celui-ci est à monter seulement pour fraiser une pièce d'une largeur inférieure à 305mm (12").

**Figure 8**

Mettez le peigne assemblé sur le dispositif. Insérez les supports de peigne #13 sur les boulons #15 entre l'écrou d'arrêt # 2 et la rondelle #11. Serrez sur les deux supports par les écrous de réglage #12.


**Système des arrêts**
**FD300 Figure 11**

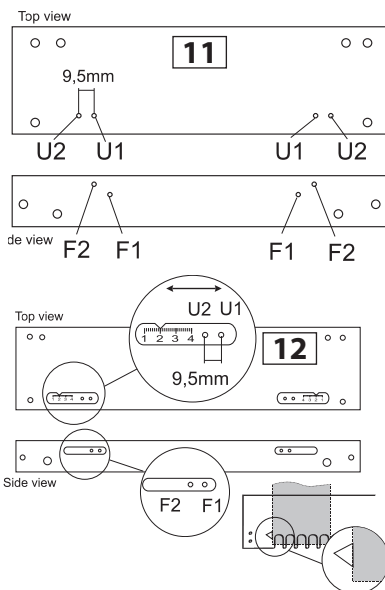
Les arrêts servent au positionnement des pièces l'une par rapport à l'autre et par rapport au peigne. Les arrêts pour le type FD300 sont solidement vissés au corps du dispositif et ainsi ils déterminent fixement le positionnement des tourillons ou des queues d'aronde par rapport à l'arête de la pièce. Pour obtenir un assemblage centré, il faut garder les largeurs recommandées des pièces selon le type de l'assemblage, vois ci-après. L'axe de décalage de l'arête latérale par rapport à la première rainure du peigne sera ci-après appelé **l'axe latéral de la position de l'assemblage**.

La distance entre U1 et U2 est 9,5mm (3/8"). Ceci concerne les fronts des tiroirs avec feuillure.

**FD600 Figure 12**

Les arrêts du FD600 sont mobiles - réglables. Ceci permet de centrer les assemblages de la pièce. Le système des arrêts coulissants est muni d'une mesure qui permet de centrer précisément la position de l'assemblage sur la pièce pour obtenir des assemblages symétriques.

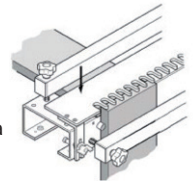
- 1/ Desserrez l'écrou de réglage du système des arrêts coulissant. Remuez les arrêts en direction du centre de dispositif.
- 2/ Insérez légèrement la pièce sous la barre de serrage supérieure.
- 3/ Insérez le peigne et serrez-le par les écrous de réglage.
- 4/ Remuez la pièce de manière à ce que l'arête de la pièce soit parallèle à l'arête de l'indice sur le peigne – uniquement pour les assemblages à queue d'aronde demi-cachés, les queues d'arondes ouvertes et l'assemblage à mèche. Pour les assemblages à tourillon suivez le chapitre respectif.
- 5/ Serrez la barre de serrage supérieure. Remuez les arrêts en direction vers l'arête de la pièce de manière à ce que ceux-ci touchent la pièce et fixez les arrêts par l'écrou de réglage.
- 6/ Répétez le procédé sur l'autre côté.



**ATTENTION:** D'abord, testez l'ajustement du dispositif sur un matériel de rebut pour obtenir un assemblage parfaitement symétrique.

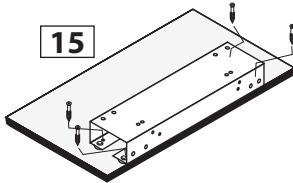
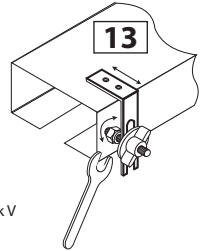
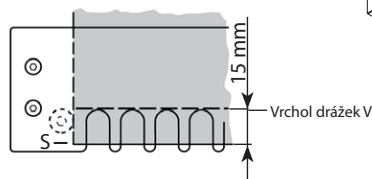
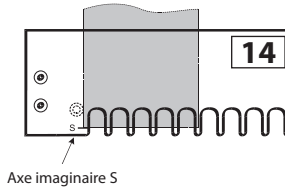
## Ajustement du peigne Figures 13-14

- 1/ Desserrez l'écrou de réglage #12.
- 2/ Tournez l'écrou #2 en direction vers le dispositif pour obtenir un assemblage plutôt profond et en direction du dispositif pour obtenir un assemblage moins profond.
- 3/ Dès que vous atteignez la position où l'indice S sur le peigne se couvre avec l'arête frontale de la pièce cessez de tourner. Maintenant un tour correspond à 1 mm de décalage.
- 4/ Serrez le support de peigne par l'écrou de réglage.
- 5/ Il faut toujours veiller à ce que le peigne soit parallèle à l'arête du corps de dispositif.



## Repère S (axe imaginaire S parallèle au bord du gabarit) Figure 14

- FD300 - le gabarit a le repère S gravé au laser.
- FD600 - tracez le repère S sur le gabarit à une distance de 15 mm du sommet des rainures en V



## Montage à la table ou au plan de travail Figure 15

Fixez le dispositif à la table ou bien au plan de travail par des clous à vis joints.

## Rectification des pièces Figure 16

Toujours rectifiez soigneusement les pièces l'un par rapport à l'autre. La pièce sur la surface supérieure du dispositif doit être étroitement rapprochée à la pièce frontale et à l'arrêt utilisé sur le côté supérieur. En même temps la pièce sur le côté frontal doit être alignée avec l'arête supérieure de la pièce supérieure et elle doit être étroitement approchée à l'arrêt utilisé sur le côté frontal.

## Barres de serrage et boulons et écrous de réglage

Ne serrez pas les boulons et les écrous de réglage à l'excès. La barre de serrage doit être serrée parallèlement par rapport au corps du dispositif. Si vous travaillez d'un côté commencez toujours par desserrer le boulon de réglage sur l'autre côté.

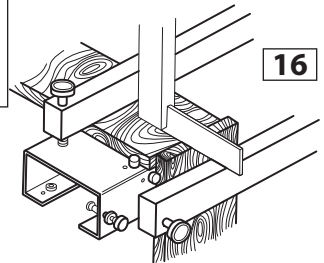
### Uniquement pour FD600

Le FD600 est fourni avec un troisième boulon de réglage central pour les barres de serrage. Celui-ci est à monter seulement si vous utilisez une pièce d'une largeur inférieure à 305mm (12").

### Attention:

**Sur toutes les figures, la fabrication de l'assemblage sur le côté gauche du dispositif est montrée. Répétez le même procédé pour le côté droit. Il faut savoir que les dimensions mentionnées sont seulement approximatives.**

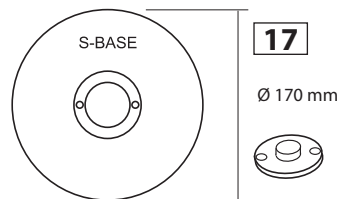
**Tous les réglages des profondeurs de coupe des défonceuses sont seulement des exemples. C'est pour cela qu'il faut faire une coupe d'essai avant de commencer le travail des pièces.**



## Ajustement de la défonceuse

### Figure 17

Le dispositif est fourni avec les bagues de copiage et celles-ci peuvent être directement montées sur certains types des défonceuses, par exemple DeWalt, Elu et d'autres. Pour certains modèles des défonceuses, il faut utiliser un plateau de réduction S-BASE qui est fourni en tant qu'accessoire pour les bagues de copiage. Le plateau de réduction permet le montage de nos bagues de réduction à tous les types des défonceuses disponibles sur le marché.

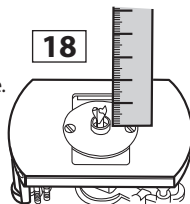




**S-BASE sert également à préciser le centrage entre la fraise à queue et la bague de copiage ce qui permet d'obtenir des assemblages considérablement plus précis. C'est pour cela que nous recommandons d'utiliser ces plateaux de réduction toujours quand il n'est pas possible de monter la bague de copiage directement sur votre défonceuse.**

Pour monter et centrer la bague de copiage, vois le mode d'emploi de S-BASE.

- 1) Avant la mise au point ou échange de l'outillage, il faut toujours débrancher la défonceuse.
- 2) Mettez la bague de copiage sur la défonceuse. Le diamètre de la bague de copiage diffère selon le type de l'assemblage, vois la table au chapitre respectif du présent mode d'emploi.
- 3) Baissez la défonceuse au moins sur l'arrêt inférieur de manière à ce que le mandrin presque touche la bague de copiage.
- 4) Insérez la fraise à queue dans le mandrin de la défonceuse et resserrez.
- 5) Réglez la profondeur de travail de la défonceuse selon **la figure 18** et selon la table pour l'assemblage respectif.



### PEIGNE POUR ASSEMBLAGE A QUEUE D'ARONDE DEMI-CACHE DE 12,7mm (1/2") Figures 19-26

Utilisation avec le peigne standard. Les deux pièces sont fraisées en même temps.

Description de l'assemblage	Information sur les arrêts			Ø de la bague de copiage	Fraise à queue	Profondeur de coupe
	Diamètre	Couleur	Position			
Queue d'aronde demi-cachée 12,7mm (1/2") FD300 & 600	Ø 10mm	argent	U1	15,8mm 5/8"	Ø 1/2" x 1/2" Ø 12,7 x 12,7mm x 14°.	13,5mm 17/32"
	Ø 10mm	argent	F1			

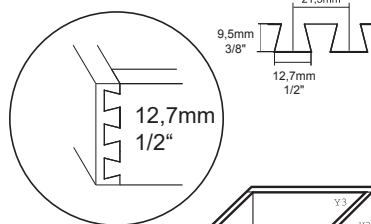
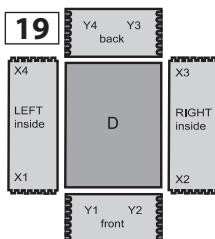
#### Préparation du matériel

Avant le fraisage, il est d'une grande importance de préparer et de projeter votre travail. Avec le FD300 & 600 vous fraisez les deux parts de l'assemblage à queue d'aronde en même temps.

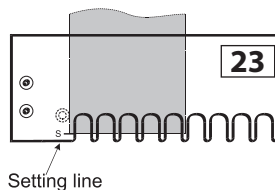
Marquez toujours les pièces du tiroir selon **la figure 19**

AVANT / ARRIERE / DROITE / GAUCHE  
FOND\_ PEICE INFÉRIEURE

X1\_ PEICE GAUCHE  
Y1\_ PEICE AVANT  
X2\_ PEICE DROITE  
Y2\_ PEICE AVANT  
X3\_ PEICE DROITE  
Y3\_ PEICE ARRIERE  
X4\_ PEICE GAUCHE  
Y4\_ PEICE ARRIERE



Les pièces X seront mises au-dessous de la barre de serrage frontale et les pièces Y au-dessous de la barre de serrage supérieure. Les pièces marquées par les chiffres pairs sont à mettre à des arrêts sur le côté gauche, les pièces marquées par les chiffres impairs à des arrêts sur le côté droit.

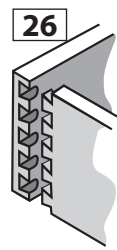




24



25



26

**Attention:**

Les dimensions mentionnées dans le présent manuel ne contiennent pas les tolérances éventuelles survenues lors de la fabrication des bagues de copiage, peignes et fraises. C'est pour cela qu'il faut considérer ces dimensions comme exemplaires et faire toujours une fabrication d'essai d'une éprouvette avant de commencer la fabrication du produit voulu.

**Largeur de la pièce**

Le peigne de 12,7mm (1/2") pour assemblage à queue d'aronde demi-caché avec le FD300 peut être utilisé avec une pièce de largeur entre 21,5mm (7/8") et 305mm (12") et avec le FD600 avec une pièce de largeur entre 21,5mm (7/8") et 610mm (24"). Pour choisir la largeur optimale de la pièce d'un assemblage symétrique, vois la table suivante :

#Nombre des queues d'aronde:		1	2	3	4	5	6	7	8
Largeur optimale	mm	21,5	43	64,5	86	107,5	129	150,5	172
	inch	7/8"	1-11/16"	2-1/2"	3-3/8"	4-1/4"	5-1/6"	5-15/16"	6-3/4"

**Mise au point**

- Vissez les arrêts dans les positions selon la table.
- Insérez la pièce X au-dessous de la barre de serrage frontale de manière à ce que celle-ci dépasse l'arrêt du dispositif. Légèrement serrez la barre de serrage.
- Insérez la pièce Y au-dessous de la barre de serrage supérieure.
- Rapprochez étroitement la pièce Y à l'arrêt latéral et à la pièce X. Serrez la barre de serrage supérieure.
- Changez la position de la pièce X de manière à ce que celle-ci ne dépasse pas la pièce Y et en même temps qu'elle touche l'arrêt.
- Fixez la pièce Y par la barre de serrage frontale.
- Mettez le peigne sur le dispositif de manière à ce que les dents de copiage soient orientées vers vous.
- Positionnez le peigne de manière à ce que l'indice S sur le peigne se couvre avec l'arête frontale de la pièce située au-dessus de la barre de serrage supérieure. Un tour de l'écrou d'arrêt correspond à un décalage du peigne de 1 mm. (Ceci se fait sur les deux côtés du dispositif.)
- Fixez le peigne par les écrous de réglage.
- Insérez la bague de copiage dans la base de la défonceuse selon la table respective.
- Montez l'outillage – la fraise à queue d'aronde – dans la défonceuse selon la table respective.
- Ajustez la profondeur de fraisage selon la table respective.

**Notice:** La profondeur de fraisage recommandée est seulement approximative et c'est pour cela qu'il faut toujours faire une coupe d'essai avec du matériel de rebut pour obtenir la profondeur de fraisage exacte.

**Attention!**

- **Rassurez-vous que les deux pièces sont bien fixées et qu'elles touchent les arrêts.**
- **Fixez toujours seulement les deux pièces. Rassurez-vous que la fraise à queue ne touche pas les supports du peigne avant et au cours de fraisage de l'assemblage.**
- **Ne serrez pas les écrous à l'excès, vous risquez l'arrachement du filetage.**
- **En augmentant ou baissant la profondeur de coupe, vous obtenez un assemblage plus ou moins serré.**

### Fraisage

- Mettez la défonceuse sur le peigne de manière à ce que la fraise ne touche pas la pièce.
- Branchez la défonceuse et faites une coupe peu profonde de gauche à droite. Fraisez uniquement l'arête avant. Ce procédé vous aide à éliminer la formation des ébarbures sur l'arête.
- Maintenant fraisez soigneusement de gauche à droite et par la bague de copiage copiez les dents du peigne.
- Débranchez la défonceuse et mettez-la hors le dispositif.
- Vérifiez si toutes les queues d'aronde sont fraisées de manière propre. Si vous constatez qu'il y a des restes du matériel dans quelques-unes des découpures répétez le fraisage sans changer l'ajustement du peigne !!!
- Enlevez les pièces du dispositif.
- Essayez de joindre les pièces.

**ATTENTION!** Ne mettez pas la défonceuse au-dessus du peigne, vous risquez de détériorer le peigne et la fraise à queue.

### L'assemblage n'est pas parfait :

- Assemblage trop lâche = augmentez la profondeur de coupe de la fraise à queue**
- Assemblage trop étroit = baissez la profondeur de coupe de la fraise à queue**
- Assemblage trop peu profond = remuez le peigne vers le dispositif**
- Assemblage trop profond = remuez le peigne en direction du dispositif**

### PEIGNE POUR ASSEMBLAGE A QUEUE D'ARONDE DEMI-CACHÉ DE 12,7mm (1/2") avec feuillure

Figures 27-30

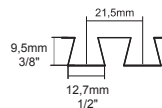
Utilisation avec peigne standard. Chaque pièce est fraisée séparément.

**Note:** Dans beaucoup de cas, l'assemblage à queue d'aronde demi-caché avec feuillure est utilisé seulement pour les fronts des tiroirs. Si vous voulez assembler les parts latérales et la part arrière par un assemblage à queue d'aronde demi-caché standard, utilisez pour sa fabrication les instructions indiquées dans la partie précédente du présent mode d'emploi.

Description de l'assemblage	Information sur les arrêts			Ø de la bague de copiage	Fraise à queue	Profondeur de coupe
	Diamètre	Couleur	Position			
<b>12,7mm (1/2") Demi-caché avec feuillure FD300 &amp; 600</b>	Ø 10mm	argent	U2	15,8mm 5/8"	Ø 1/2" x 1/2" Ø 12,7 x 12,7mm x 14°.	13,5mm 17/32"
	Ø 10mm	argent	F1			

### Mise au point du dispositif

Vissez les arrêts dans des positions selon la table.



### Préparation de la pièce frontale du tiroir avec feuillure

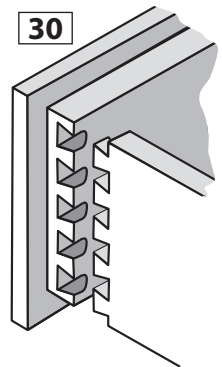
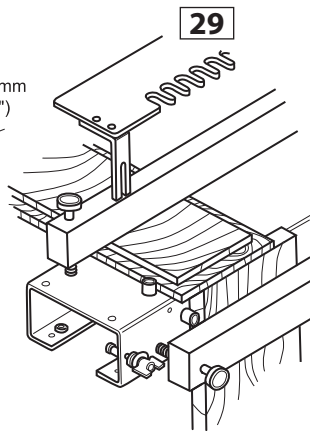
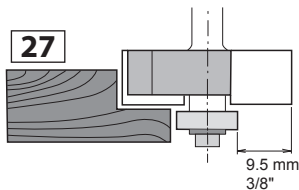
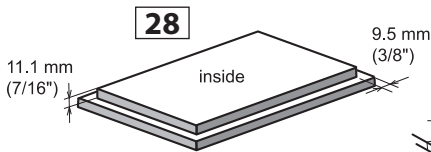
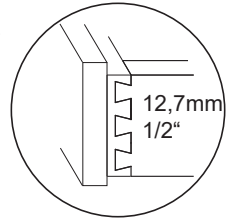
- Préparez une pièce de 19mm (3/4") plus longue et plus étroite. **Figure 28.**
- Fraisez une demi-rainure de 9,5mm (3/8") de largeur et de 11,1mm (7/16") de profondeur dans toute la circonférence de la pièce. **Figure 27 & 28.**
- Mettez la pièce d'appui de 9,5mm (3/8") d'épaisseur au-dessous de la barre de serrage frontale et poussez-la vers l'arrêt.
- Serrez la barre de serrage frontale.
- Mettez la pièce avec feuillure au-dessous de la barre de serrage supérieure et rectifiez-la de manière à ce qu'elle ne dépasse pas l'arête de la pièce placée sous la barre de serrage frontale et qu'elle soit étroitement rapprochée à l'arrêt. **Figure 29.**
- Serrez la barre de serrage supérieure.
- Enlevez la pièce d'appui d'au-dessous de la barre de serrage frontale.
- Mettez le peigne sur le dispositif de manière à ce que ses dents soient orientées vers vous.
- Réglez le peigne de manière à ce que l'indice S sur le peigne se couvre avec l'arête frontale de la feuillure de la pièce située au-dessous de la barre de serrage supérieure. Un tour de l'écrou d'arrêt correspond à un décalage du peigne de 1 mm. (Ceci se fait sur les deux côtés du dispositif).

- Fixez le peigne par les écrous de réglage.
- Insérez la bague de copiage dans la base de la défonceuse selon la table respective.
- Montez l'outillage – la fraise à queue d'aronde – dans la défonceuse selon la table respective.
- Mettez au point la profondeur de fraisage selon la table respective.

**Attention:** La profondeur de fraisage recommandée est seulement approximative et c'est pour cela qu'il faut toujours faire une coupe d'essai avec du matériel de rebut pour obtenir la profondeur de fraisage exacte.

## Fraisage

- Mettez la défonceuse sur le peigne de manière à ce que la fraise ne touche pas la pièce.
- Branchez la défonceuse et faites une coupe peu profonde de gauche à droite. Fraisez uniquement l'arête avant. Ce procédé vous aide à éliminer la formation des ébarbures sur l'arête.
- Maintenant fraisez soigneusement de gauche à droite et par la bague de copiage copiez les dents du peigne.
- Débranchez la défonceuse et mettez-la hors le dispositif.
- Vérifiez si toutes les queues d'aronde sont fraisées de manière propre. Si vous constatez qu'il y a des restes du matériel dans quelques-unes des découpures répétez le fraisage sans changer la position du peigne !!!
- Enlevez les pièces du dispositif.
- Essayez de joindre les pièces.



## Pièce latérale du tiroir

- Mettez une pièce auxiliaire de la même largeur que la pièce latérale et d'une épaisseur de 13 mm au-dessous de la barre de serrage supérieure.
- Mettez la pièce latérale au-dessous de la barre de serrage frontale. Rectifiez les deux pièces par rapport à l'arrêt final et rassurez-vous à l'aide d'une cornière que les deux pièces soient rectifiées.
- Fixez les deux pièces par les barres de serrage.
- Mettez le peigne avec des supports sur le dispositif et fixez par les écrous de réglage.

## Fraisage

- Mettez la défonceuse sur le peigne de manière à ce que la fraise ne touche pas la pièce.
- Branchez la défonceuse et faites une coupe peu profonde de gauche à droite. Fraisez uniquement l'arête avant. Ce procédé vous aide à éliminer la formation des ébarbures sur l'arête.
- Maintenant fraisez soigneusement de gauche à droite et par la bague de copiage copiez les dents du peigne.
- Débranchez la défonceuse et mettez-la hors le dispositif.
- Vérifiez si toutes les queues d'aronde sont fraisées de manière propre. Si vous constatez qu'il y a des restes du matériel dans quelques-unes des découpures répétez le fraisage sans changer la position du peigne !!!
- Enlevez les pièces du dispositif.
- Essayez de joindre les pièces.

**L'assemblage n'est pas parfait :**

**Assemblage trop lâche = augmentez la profondeur de coupe de la fraise à queue**

**Assemblage trop étroit = baissez la profondeur de coupe de la fraise à queue**

**Assemblage trop peu profond = remuez le peigne vers le dispositif**

**Assemblage trop profond = remuez le peigne vers vous**

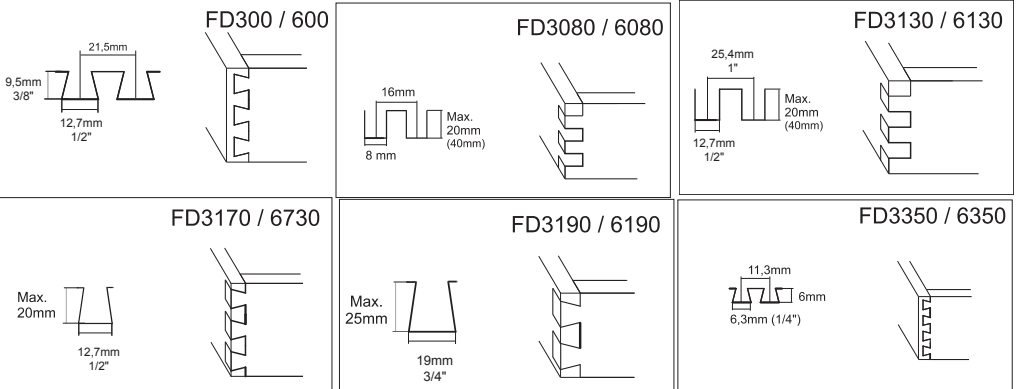
**SÉCURITÉ**

- Il faut toujours débrancher la défonceuse et la mettre hors circuit électrique avant l'échange de la fraise à queue ou pendant la mise au point.
- En fraisant, utilisez des lunettes de protection.
- Utilisez une protection acoustique.
- Utilisez un masque à poussière ou un respirateur.
- Utilisez une installation d'aspiration.
- Ne portez pas de vêtement ample. Rassurez-vous que vous avez retroussé ou attaché vos manches libres et que vous ne portez pas de cravate.
- Avant de brancher la défonceuse, enlevez tous les outillages, écrous, clés, et d'autres objets libres de l'espace de travail.
- Prévenez le branchement non-voulu de la défonceuse : Avant d'insérer la fiche mâle dans la fiche femelle au avant son branchement au circuit électrique, rassurez-vous que l'interrupteur se trouve dans la position « arrêt ».
- Avant de commencer tout ajustement attendez jusqu'à ce que la fraise ne soit complètement arrêtée par elle-même.

FD300 & 600 LISTE DES PIECES DE RECHANGE			v.5
Pos. #	Description	Quantité	Réf. :
1	Corps FD300	1	
	Corps FD600	1	
2	Ecrou pour support de peigne FD300 et FD600	2	
3	Arrêt	4	FD3001-03
4	Barre de serrage FD300	2	FD3001-95
	Barre de serrage FD600	2	FD6001-95
5	Peigne pour assemblage à queue d'aronde demi-caché de 12,7mm FD300	1	FD300-07
	Peigne pour assemblage à queue d'aronde demi-caché de 12,7mm FD600	1	FD600-07
7	Boulon de réglage M8x90 FD300 et FD600	4	FS100119
8	Rondelle 8 FD300 et FD600	4	FS101004
9	Ressort FD300 et FD600	4	FD6001-11
10	Boulon M4 x 16	4	FS200126
11	Rondelle 6 FD300 et FD600	2	
12	Ecrou de réglage M6 FD300 et FD600	2	FS100106

13	Support de peigne FD300 et FD600	2	FD6001-22
14	Boulon M4 x 8	4	FS200128
15	Boulon M6 FD300 et FD600	2	
16	Pied en caoutchouc	4	FS990002
17	U-profile de serrage coulissant FD600	2	FD6001-17
18	Boulon M6 FD600	2	FS200112
20	Base coulissante avec mesure - droite FD600	1	FD6001-08A
	Base coulissante avec mesure - gauche FD600	1	FD6001-08B
21	Bague de copiage D15,8mm x 4mm	1	FGB158-04
22	Boulon M5 x 8	2	FS200143
23	Clé imbus 2,5	1	F9900620
24	Clé imbus 4 FD300	1	FS800005
68	Clé 10 pour FD300	1	FS800008
61	Rondelle d'appui - supérieure 2 x M4 FD600	2	FD6001-16
62	Rondelle d'appui - supérieure FD600	2	FD6001-15
63	Rondelle d'appui 2 x M4 FD600	2	FD6001-18
64	Rondelle de distance 0,1mm (0,2mm) FD600	8	FS101013
65	Boulon M4 x 12 FD600	4	
66	Boulon M4 x 25 FD600	4	

**31**



# FD300 & 600 CINKOVACÍ SPOJOVACÍ ZAŘÍZENÍ

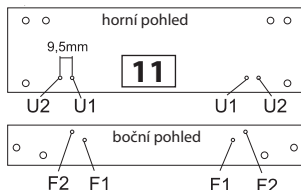
## OBSAH BALENÍ

obrazky 1a 2. Součásti 61-66 jsou již namontované

FD300 & 600 umožňují frézovat 12,7mm (1/2") polokrytý rybinový spoj za pomoci horní frézky s upnutou rybinovou frézou a kopírovacím kroužkem.

Pomocí přídatných šablon ( dodávány samostatně ) umožňuje frézovat :

- 6,35mm (1/4") polokrytý rybinový spoj
- 8mm (5/16") čepový spoj
- 12,7mm (1/2") čepový spoj
- 12,7mm (1/2") otevřený rybinový spoj.
- 19mm (3/4") otevřený rybinový spoj.
- 32mm kolíkový spoj



## Standardní vybavení:

Rozměr spoje: 305mm (12")  
 Max. šířka spoje: 12-25mm (7/16" to 1")  
 Tloušťka dílce: 15,8mm (5/8")  
 Průměr kopírovacího kroužku: 6,9kg (15.2 pounds)  
 Hmotnost: 180mm (7-1/16")  
 Max.průměr základny frézky:

## FD300

polokrytý rybinový 12,7mm (1/2")  
 305mm (12")  
 12-25mm (7/16" to 1")  
 15,8mm (5/8")  
 6,9kg (15.2 pounds)  
 180mm (7-1/16")

## FD600

polokrytý rybinový 12,7mm (1/2")  
 610mm (24")  
 12-25mm (7/16" to 1")  
 15,8mm (5/8")  
 12,3kg (27 pounds)  
 180mm (7-1/16")

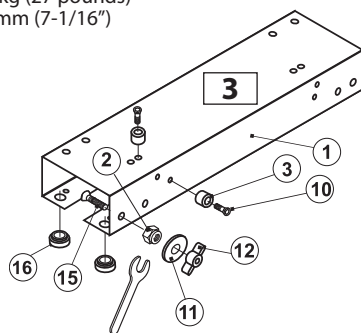
## SESTAVENÍ ZAŘÍZENÍ

### Obrázek 3

Našroubujte šroub #15 pomocí klíče imbus 4 (FD300) nebo imbus 5 (FD600) do těla zařízení #1 a šroub pečlivě utáhněte. Z druhé strany našroubujte na šroub dorazový matici #.2. Na šroub nasadte podložku #11. a našroubujte ovládací matici # 12. Opakujte tento postup pro druhou stranu zařízení.

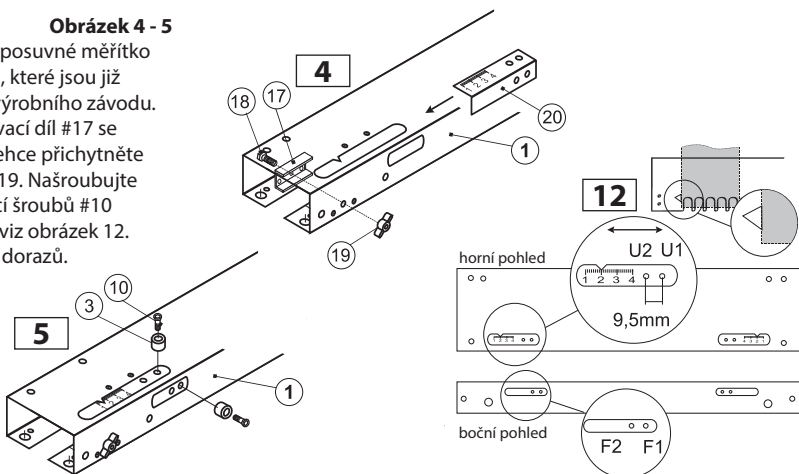
### Jen pro FD300

Našroubujte dorazy #3 pomocí šroubů #10. do těla #1. Dorazy umístěte do pozic U1 na horní straně zařízení a F1 na přední straně zařízení viz obrázek 11.



### Jen pro FD600 Obrázek 4 - 5

Nejprve nasuňte posuvné měřítko # 20 mezi držáky , které jsou již namontovány z výrobního závodu. Pak vložte utahovací díl #17 se šroubem #18 a lehce přichytněte ovládací matici #19. Našroubujte dorazy #3 pomocí šroubů #10 do pozic U1 a F1 viz obrázek 12. Utáhněte šrouby dorazů.



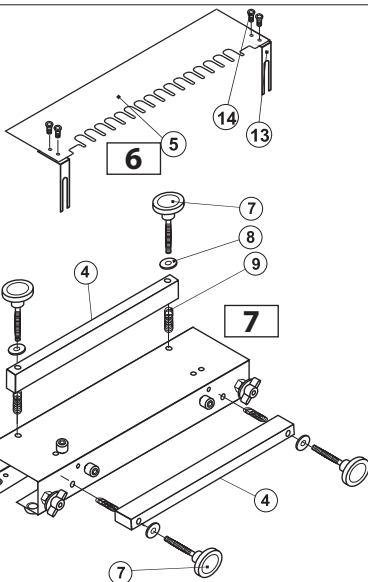
Vložte gumové nohy # 16 do příslušných otvorů.

### Obrázek 6

Příšroubujte držáky šablony # 13 k šabloně # 5. Použijte šrouby # 14.

### Obrázek 7

Přípevněte horní a čelní přítlaky # 4. pomocí ovládacích šroubů #7, pružin #9., a podložek #8.



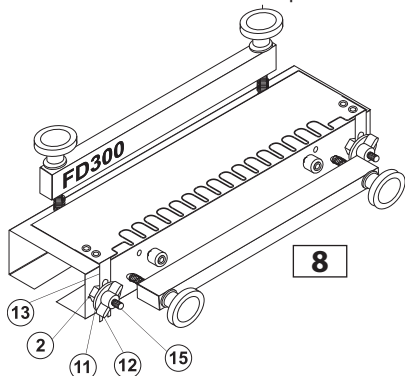
### Jen pro FD600

U FD600 je dodáván třetí středový ovládací šroub přítlaků .

Tento namontujte pouze při šířce dílce do 305mm (12").

### Obrázek 8

Smontovanou šablonu vložte na zařízení. Držáky šablony #13 zasuňte na šrouby #15 mezi dorazovou matici # 2 a podložku #11. Utáhněte na obou koncích pomocí ovládacích matic #12.



### Systém dorazů

#### FD300 Obrázek 11

Dorazy slouží k ustavení dílců vůči sobě a vzhledem k šabloně. Dorazy u typu FD300 jsou pevně příšroubovány k tělu zařízení a proto pevně určují umístění čepů nebo cinků od hrany dílu. K dosažení vycentrovaného spoje musíte dodržet doporučené šířky dílců dle typu spoje viz dále. Osa posunutí boční hrany dílce od první drážky šablony budeme nazývat boční osa pozice spoje.

Rozteč mezi U1 a U2 je 9,5mm ( 3/8"). Toto je pro čela zásuvek s osazením.

### FD600 Obrázek 12

Dorazy u FD600 jsou pohyblivé - přestavitelné. To umožňuje vycentrovat spoj na dílci. Posuvný systém dorazů má měřítko, které umožňuje docentrovat precizně pozici spoje na dílci při symetrických spojech.

1/ Povolte ovládací matici posuvného systému dorazů. Pohněte dorazy směrem od středu zařízení ven.

2/ Volně vložte díl pod horní přítlak.

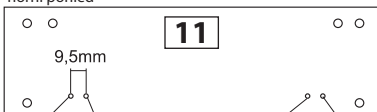
3/ Vložte šablonu a utáhněte ji ovládacími maticemi .

4/ Pohybněte dílcem tak, že hrana dílce je rovnoběžná s hranou ukazatele na šabloně - jen pro polokryté rybinové spoje, otevřené rybinové spoje a kolíkový spoj. U čepových spojů sledujte příslušnou kapitolu.

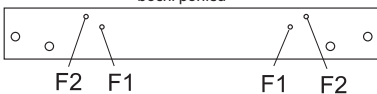
5/ Utáhněte horní přítlak. Posuňte dorazy směrem k hraně dílce tak aby se dotýkali dílce a zafixujte dorazy ovládací maticí.

6/ Provedte totéž pro druhou stranu.

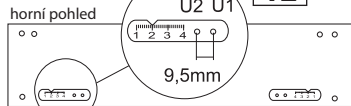
horní pohled



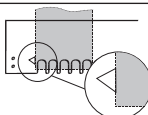
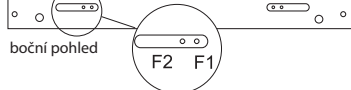
boční pohled



horní pohled



boční pohled

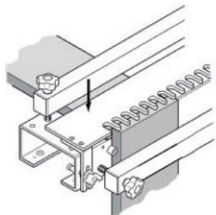




**POZOR:** Nejprve otestujte nastavení na odpadovém materiálu abyste dosáhli perfektně symetrického spoje.

### Nastavení šablony Obrázky 13 – 14

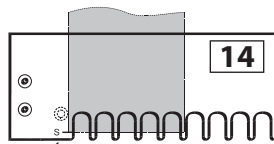
- 1/ Povolte ovládací matici #12.
- 2/ Otáčejte matici #2 směrem k zařízení pro dosažení hlubšího spoje, nebo od zařízení pro dosažení mělkého spoje.
- 3/ Otáčení ukončete jakmile dosáhnete pozice, kdy se ryska S na šabloně kryje s přední hranou dílce. Jedna otáčka se rovná 1 mm posunu.
- 4/ Utáhněte držák šablony ovládací maticí.
- 5/ Vždy se přesvědčte, že je šablona rovnoběžně s hranou těla zařízení.



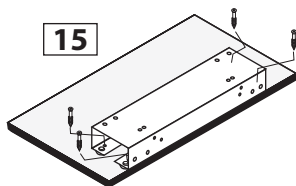
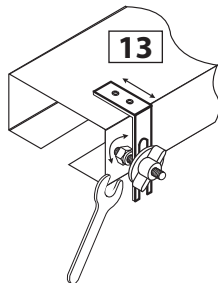
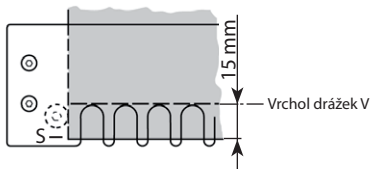
### Ryska S (pomyslná osa S rovnoběžná s hranou šablony) Obrázek 14

FD300 - šablona má vylaserovanou rysku S.

FD600 - narýsujte na šablonu rysku S ve vzdálenosti 15 mm od vrcholu drážek V.



Pomyslná osa S



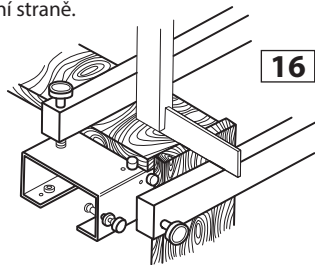
### Montáž k pracovnímu stolu nebo desce Obrázek 15

Přípevněte zařízení na pracovní desku nebo stůl pomocí přiložených vrtuňů.

### Vyrovnaní dílců Obrázek 16

Vždy pečlivě vyrovnejte dílce vůči sobě. Dílec na horní ploše zařízení musí být doražen k přednímu dílci a k použitému dorazu na horní straně. Dílec na čelní straně musí být zároveň s horní hranou horního dílce a musí být doražen k použitému dorazu na čelní straně.

Upínací přítlaky a ovládací šrouby a matice  
Neutahujte nadměrně ovládací šrouby a matice. Přítlak musí být utahován paralelně vůči tělu zařízení. Jestliže pracujete na jedné straně, povolujte ovládací šroub nejprve na druhé straně.



**Jen pro FD600** - u FD600 je dodáván třetí středový ovládací šroub přítlaků. Tento namontujte pouze při šířce dílce do 305mm (12").

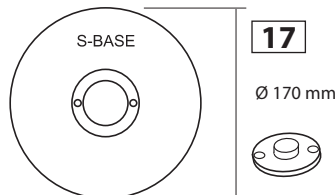
### Upozornění:

**Všechny obrázky ukazují výrobu spoje na levé straně zařízení. Tentýž postup opakujte pro pravou stranu. Mějte na paměti, že uváděné rozměry jsou pouze přibližné.**

**Všechny uváděné nastavení hloubky fréz jsou pouze vzorové. Nejprve proveďte zkušební řez na odpadovém materiálu před započetím výroby dílců.**

### Nastavení horní frézy Obrázek 17

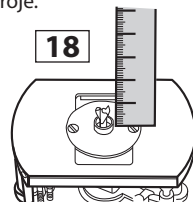
Kopírovací kroužky jsou dodávány se zařízením a lze je montovat přímo do vybraných typů horních frézek např. DeWalt, Elu a dalších. Pro další modely použijte S-BASE redukční desku dodávanou jako příslušenství pro kopírovací kroužky. Redukční deska umožňuje montáž našich kopírovacích kroužků na všechny typy horních frézek na trhu.



**S-BASE zpřesňuje vycentrování mezi stopkovou frézou a kopírovacím kroužkem. Tím dosáhnete mnohem přesnější spoje. Proto doporučujeme použít tyto redukční desky vždy, pokud nelze namontovat kopírovací kroužek do Vaší horní frézky přímo.**

Postup pro upnutí a vycentrování kopírovacího kroužku naleznete v návodu k obsluze S-BASE.

- 1) Vždy odpojte horní frézku ze zásuvky el.proudu před nastavování nebo výměnou nástroje.
- 2) Vložte kopírovací kroužek na frézku. Průměr kroužku je různý dle typu spoje. Sledujte tabulku v příslušné části návodu k obsluze.
- 3) Sjedzte frézku maximálně na spodní doraz tak aby se kleština téměř dotýkala kopírovacího kroužku.
- 4) Vložte stopkovou frézu do kleštiny frézky a utáhněte.
- 5) Nastavte pracovní hloubku stopkové frézy na frézce jak ukazuje Obrázek 18 dle tabulky u příslušného typu spoje.



### ŠABLONA PRO 12,7mm (1/2") POLOKRYTÝ RYBINOVÝ SPOJ

Použití se standardní šablonou . Oba dílce jsou frézovány najednou..

Obrázky 19-26

Popis spoje	Informace o dorazech			Ø Kopírovacího kroužku	Stopková fréza	Řezná hloubka
	Průměr	Barva	Pozice			
12,7mm (1/2") Polokrytý rybinový FD300 & 600	Ø 10mm	stříbrný	U1	15,8mm 5/8"	Ø 1/2" x 1/2"	13,5mm 17/32"
	Ø 10mm	stříbrný	F1		Ø 12,7 x 12,7mm x 14°	

### Příprava materiálu

Je velmi důležité si připravit a naplánovat Vaši práci před započítím frézování. Zařízením FD300 & 600 zhotovíte obě dvě strany cinkového spoje najednou.

Vždy si označte jednotlivé díly zásuvky jak je ukázáno na obrázku 19

PŘEDNÍ / ZADNÍ / PRAVÝ / LEVÝ .

DNO\_ SPODNÍ ČÁST

X1\_ LEVÝ DÍL

Y1\_ PŘEDNÍ DÍL

X2\_ PRAVÝ DÍL

Y2\_ PŘEDNÍ DÍL

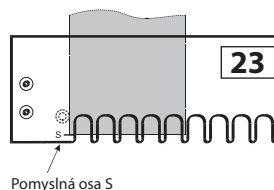
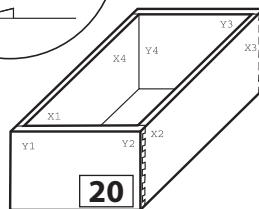
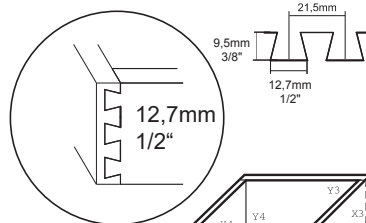
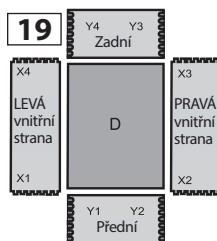
X3\_ PRAVÝ DÍL

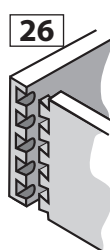
Y3\_ ZADNÍ DÍL

X4\_ LEVÝ DÍL

Y4\_ ZADNÍ DÍL

Díly X vkládejte pod čelní přítlak a díly Y pod horní přítlak. Sudé čísla dílců k dorazům na levé straně , liché čísla dílců k dorazům na pravé straně.





### Upozornění:

Rozměry uváděné v této příručce nezahrnují případné tolerance při výrobě kopírovacích kroužků, šablon a fréz. Proto používejte tyto rozměry jako naváděcí a vždy proveďte zkušební výrobu vzorku před započatím výroby vlastního výrobku.

### Šířka dílce

Pro šablonu 12,7mm (1/2") polokrytý rybinový spoj může být použita jakákoliv šířka dílce 21,5mm (7/8") - 305mm (12") pro FD300 a 21,5mm (7/8") - 610mm (24") pro FD600. Pro volbu ideální šířky dílce symetrického spoje použijte následující tabulku.

#Počet cinků:		1	2	3	4	5	6	7	8
Ideální šířka	mm	21,5	43	64,5	86	107,5	129	150,5	172
	inch	7/8"	1-11/16"	2-1/2"	3-3/8"	4-1/4"	5-1/6"	5-15/16"	6-3/4"

### Nastavení

- Našroubujte dorazy do pozic dle tabulky.
- Vložte díl X pod přední čelní přítlak , tak aby přečnival hranu přípravku. Přítlak lehce dotáhněte.
- Vložte díl Y pod horní přítlak .
- Doražte díl Y k bočnímu dorazu a k dílu X. Utáhněte horní přítlak .
- Přeupněte díl X tak, aby nepřechýl díl Y a zároveň se opíral o doraz .
- Díl Y upněte čelním přítlakem .
- Vložte šablonu na přípravek , kopírovacími výřezy směrem k vám.
- Nastavte šablonu tak, aby se značka S na šabloně kryla s přední hranou dílce pod horním přítlakem. Jedna otáčka dorazové matice představuje posun šablony o 1mm. ( provádí se na obou stranách zařízení)
- Šablonu upněte ovládacími maticemi.
- Vložte kopírovací kroužek dle tabulky do základny horní frézky .
- Upněte nástroj - rybinovou frézu dle tabulky do horní frézky.
- Nastavte hloubku frézování dle tabulky.

**Pozor: Doporučená hloubka frézování je jen přibližná, vždy proveďte zkušební řez na testovacím odpadovém dílu, k dosažení přesné hloubky frézování.**

### Pozor!

- Ujistěte se, že oba díly jsou bezpečně upnuty a že se dotýkají dorazů.
- Vždy upněte pouze jednu sadu dílců. . Ujistěte se, že se stopková fréza nedotýká držáků šablony před a během frézování spoje.
- Neutahujte ovládací matice nadměrnou silou, aby nedošlo ke stržení závitů.
- Zvětšováním nebo zmenšováním řezné hloubky je spoj těsnější nebo volnější.

## Frézování

- Vložte frézku na šablonu tak, aby se fréza nedotýkala dílce.
- Zapněte frézku a proveďte jeden mělký řez zleva doprava. Frézujte pouze přední hranu. Tento postup Vám eliminuje otřepy na hraně.
- Nyní pečlivě frézujte zleva doprava a kopírujte kroužkem zářezy šablony.
- Vypněte horní frézku a položte ji mimo zařízení.
- Zkontrolujte, zda ve všech zárezích jsou vyfrézovány cinky čistě. Pokud zjistíte, že někde zbývá materiál proveďte frézování ještě jednou bez přestavení šablony !!!
- Vyndejte díly ze zařízení.
- Vyzkoušejte díly.

**POZOR! Nezdvihejte horní frézku nad šablonu, jinak zničíte šablonu a stokovou frézu.**

**Pokud není spoj perfektní :**

**Spoj je volný = zvětšete řeznou hloubku stopkové frézy.**

**Spoj je těsný = zmenšete řeznou hloubku stopkové frézy.**

**Spoj je mělký = posuňte šablonou směrem k zařízení.**

**Spoj je hluboký = posuňte šablonou směrem od zařízení.**

**ŠABLONA PRO 12,7mm (1/2") POLOKRYTÝ RYBINOVÝ SPOJ s osazením** **Obrázky 27-30**  
**Použití se standardní šablonou . Každý díl je frézován samostatně.**

**Poznámka:** V mnoha případech je polokrytý rybinový spoj s osazením používán jen na čela zásuvek. Pokud si přejete spojit boční části zásuvky se zadní standardním polokrytým rybinovým spojem použijte pro jeho výrobu instrukce v předchozí části tohoto návodu.

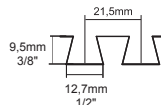
Popis spoje	Informace o dorazech			Ø Kopírovacího kroužku	Stopková fréza	Řezná hloubka
	Průměr	Barva	Pozice			
<b>12,7mm (1/2") polokrytý rybinový spoj FD300 &amp; 600</b>	Ø 10mm	stříbrný	U2	15,8mm 5/8"	Ø 1/2" x 1/2" Ø 12,7 x 12,7mm x 14°	13,5mm 17/32"
	Ø 10mm	stříbrný	F1			

## Nastavení zařízení

Našroubujte dorazy do pozic dle tabulky.

## Příprava zásuvkového čelního dílu s osazením

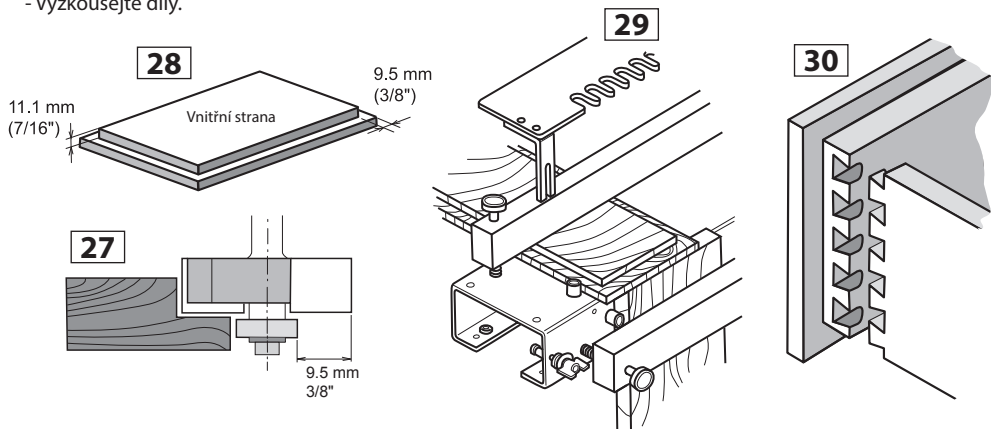
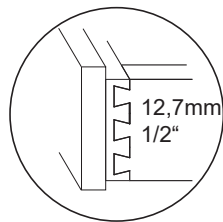
- Připravte si díl o 19mm ( 3/4") delší a širší. **Obrázek 28.**
- Frézujte polodrážku šířky 9,5mm (3/8") a hloubky 11,1mm (7/16") po celém obvodu dílu. **Obrázek 27 & 28.**
- Vložte opěrný díl tloušťky 9,5mm (3/8") pod přední přítlak a přitlačte jej k dorazu.
- Utáhněte přední přítlak.
- Vložte díl s osazením pod horní přítlak a vyrovnejte jej tak, aby nepřechýlval hranu dílu pod čelním přitlakem a byl dorazen k dorazu. **Obrázek 29.**
- Utáhněte horní přítlak.
- Odstraňte opěrný díl z čelního přitlaku.
- Vložte šablonu na přípravek , kopírovacími výřezy směrem k vám.
- Nastavte šablonu tak, aby se značka S na šabloně kryla s přední hranou osazení dílce pod horním přitlakem. Jedna otáčka dorazové matice představuje posun šablony o 1mm. ( provádí se na obou stranách zařízení)
- Šablonu upněte ovládacími maticemi.
- Vložte kopírovací kroužek dle tabulky do základny horní frézky .
- Upněte nástroj - rybinovou frézu dle tabulky do horní frézky.
- Nastavte hloubku frézování dle tabulky.



**Pozor:** Doporučená hloubka frézování je jen přibližná, vždy proveďte zkušební řez na testovacím odpadovém dílu, k dosažení přesné hloubky frézování.

### Frézování

- Vložte frézku na šablonu tak, aby se fréza nedotýkala dílce.
- Zapněte frézku a proveďte jeden mělký řez zleva doprava. Frézujte pouze přední hranu. Tento postup Vám eliminuje otřepy na hraně.
- Nyní pečlivě frézujte zleva doprava a kopírujte kroužkem zářezy šablony.
- Vypněte horní frézku a položte ji mimo zařízení.
- Zkontrolujte, zda ve všech zářezích jsou vyfrézovány cinky čistě. Pokud zjistíte, že někde zbývá materiál proveďte frézování ještě jednou bez přestavení šablony !!!
- Vyndejte díly ze zařízení.
- Vyzkoušejte díly.



### Zásuvkový boční díl

- Vložte pomocný díl stejné šířky jako boční díl a tloušťky 13mm pod horní přítlak.
- Vložte boční díl pod přední přítlak. Vyrovnajte oba díly ke koncovému dorazu a úhelníkem se přesvědčte o vyrovnání obou dílů.
- Upněte oba díly přítlaky.
- Vložte šablonu s držáky na zařízení a upněte ovládací maticemi.

### Frézování

- Vložte frézku na šablonu tak, aby se fréza nedotýkala dílce.
- Zapněte frézku a proveďte jeden mělký řez zleva doprava. Frézujte pouze přední hranu. Tento postup Vám eliminuje otřepy na hraně.
- Nyní pečlivě frézujte zleva doprava a kopírujte kroužkem zářezy šablony.
- Vypněte horní frézku a položte ji mimo zařízení.
- Zkontrolujte, zda ve všech zářezích jsou vyfrézovány cinky čistě. Pokud zjistíte, že někde zbývá materiál proveďte frézování ještě jednou bez přestavení šablony !!!
- Vyndejte díly ze zařízení.
- Vyzkoušejte díly.

### Pokud není spoj perfektní :

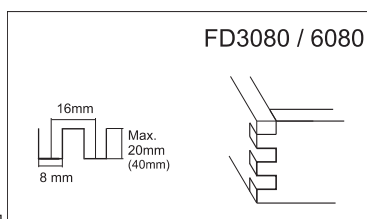
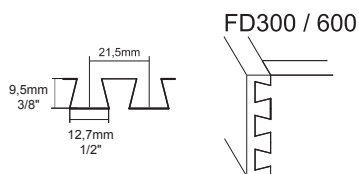
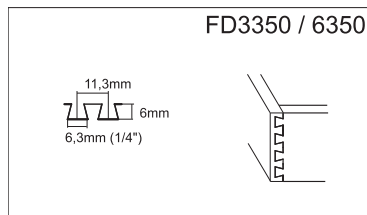
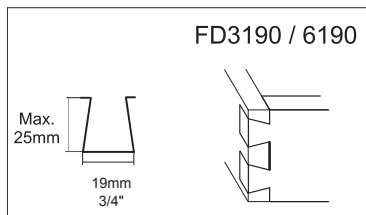
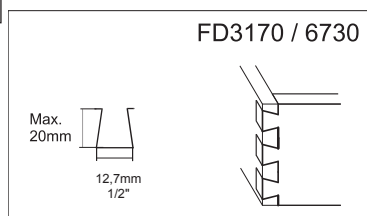
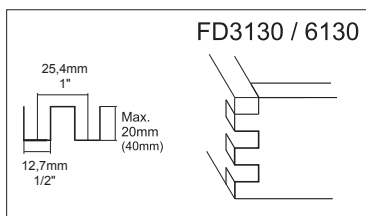
- Spoj je volný = zvětšete řeznou hloubku stopkové frézy.**
- Spoj je těsný = zmenšete řeznou hloubku stopkové frézy.**
- Spoj je mělký = posuňte šablonou směrem k zařízení.**
- Spoj je hluboký = posuňte šablonou směrem od zařízení.**

## BEZPEČNOST

- Před výměnou stopkové frézy nebo při nastavování , vždy vypněte frézku a odpojte od přívodu elektrického proudu.
- Při frézování používejte ochranné brýle.
- Používejte chrániče sluchu.
- Vždy používejte protiprachovou masku nebo respirátor.
- Používejte odsávací zařízení.
- Nenoste volný oděv. Ujistěte se, že máte vyhrnuty nebo upnuty volné rukávy a že nemáte vázanku.
- Před zapnutím frézky odstraňte všechny nástroje, matice , klíče a další volné objekty z pracovního prostoru.
- Předejděte nechtěnému zapnutí frézky. Před zasunutím zástrčky do zásuvky a před připojením ke zdroji proudu se ujistěte, že vypínač je v poloze „vypnuto“.
- Nežlí zahájíte jakékoliv seřizování, počkejte, až se fréza sama úplně zastaví.

FD300 & 600 SEZNAM NÁHRADNÍCH DÍLŮ		v.5 od 2011	
Pos. #	Popis	množství	Obj.číslo
1	Tělo FD300	1	
	Tělo FD600	1	
2	Stavěcí matice držáku šablony FD300 a FD600	2	
3	Doraz	4	FD3001-03
4	Přítlak FD300	2	FD3001-95
	Přítlak FD600	2	FD6001-95
5	Šablona 12,7mm polokrytý rybinový spoj FD300	1	FD300-07
	Šablona 12,7mm polokrytý rybinový spoj FD600	1	FD600-07
7	Ovládací šroub M8x90 FD300 a FD600	4	FS100119
8	Podložka 8 FD300 a FD600	4	FS101004
9	Pružina FD300 a FD600	4	FD6001-11
10	Šroub M4 x 16	4	FS200126
11	Podložka 6 FD300 a FD600	2	
12	Ovládací matice M6 FD300 a FD600	2	FS100106
13	Držák šablony FD300 a FD600	2	FD6001-22
14	Šroub M4 x 8	4	FS200128
15	Šroub M6 FD300 a FD600	2	
16	Gumová noha	4	FS990002
17	Utahovací posuvný U-profil FD600	2	FD6001-17
18	Šroub M6 FD600	2	FS200112
20	Posuvná základna s měřítkem pravá FD600	1	FD6001-08A
	Posuvná základna s měřítkem levá FD600	1	FD6001-08B

21	Kopírovací kroužek D15,8mm x 4mm	1	FGB158-04
22	Šroub M5 x 8	2	FS200143
23	Imbus klíč 2,5	1	F099-06200
24	Imbus klíč 4 FD300	1	FS800005
68	Klíč 10 pro FD300	1	FS800008
61	Opěrná podložka horní 2 x M4 FD600	2	FD6001-15
62	Opěrná podložka horní FD600	2	FD6001-16
63	Opěrná podložka 2 x M4 FD600	2	FD6001-18
64	Distanční podložka 0,2mm FD600	4	FS101013
65	Šroub M4 x 12 FD600	4	
66	Šroub M4 x 25 FD600	4	


**31**


## FD300 & 600 CINKOVACIE SPOJOVACIE ZARIADENIE

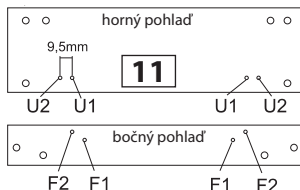
### OBSAH BALENIA

obrázky 1a 2. Súčasti 61-66 sú už namontované

FD300 & 600 umožňujú frézovať 12,7mm (1/2") polokrytý rybinový spoj za pomocou hornej frézy s upnutou rybinovou frézoou a kopirovacím krúžkom.

Pomocou prídavných šablón ( dodávané samostatne ) umožňujú frézovať :

- 6,35mm (1/4") polokrytý rybinový spoj
- 8mm (5/16") čapový spoj
- 12,7mm (1/2") čapový spoj
- 12,7mm (1/2") otvorený rybinový spoj.
- 19mm (3/4") otvorený rybinový spoj.
- 32mm kolíkový spoj



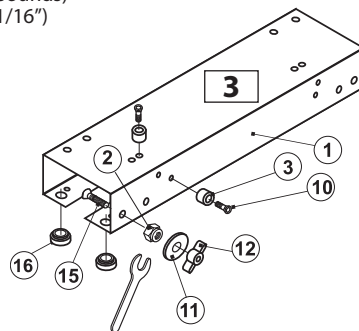
### Štandardné vybavenie:

<b>FD300</b>	<b>FD600</b>
polokrytý rybinový	12,7mm (1/2")
305mm (12")	610mm (24")
Hrúbka dielca:	12-25mm (7/16" to 1")
Priemer kopirovacieho krúžku:	15,8mm (5/8")
Hmotnosť:	6,9kg (15.2 pounds)
Max. priemer základne frézy:	180mm (7-1/16")
	12,3kg (27 pounds)
	180mm (7-1/16")

### ZOSTAVENIE ZARIADENIA

#### Obrázok 3

Naskrutkujte skrutku #15 pomocou kľúča imbus 4 (FD300) alebo imbus 5 (FD600) do tela zariadenia #1 a skrutku starostlivo utiahnite. Z druhej strany naskrutkujte na skrutku dorazovú maticu #2. Na skrutku nasadte podložku #11. a naskrutkujte ovládaciu maticu # 12. Opakujte tento postup pre druhú stranu zariadenia.

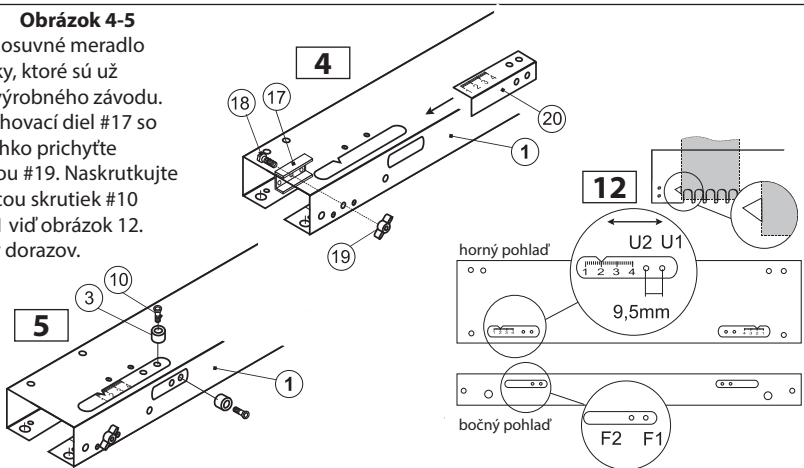


#### Jen pre FD300

Naskrutkujte dorazy #3 pomocou skrutiek #10. do tela #1. Dorazy umiestnite do pozícií U1 na hornej strane zariadenia a F1 na prednej strane zariadenia vid' obrázok 11.

#### Len pre FD600 Obrázok 4-5

Najprv nasuňte posuvné meradlo # 20 medzi držiaky, ktoré sú už namontované z výrobného závodu. Potom vložte uťahovací diel #17 so skrutkou #18 a ľahko prichyťte ovládaciu maticu #19. Naskrutkujte dorazy #3 pomocou skrutiek #10 do pozícií U1 a F1 vid' obrázok 12. Utiahnite skrutky dorazov.





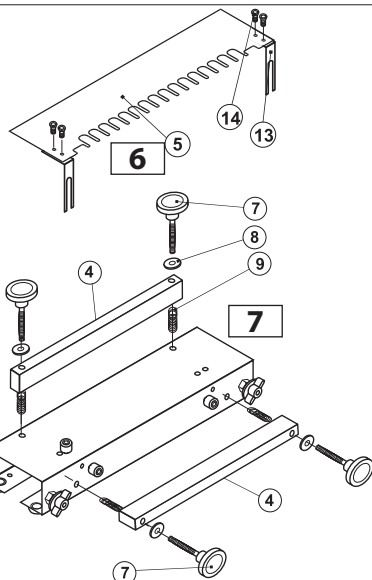
Vložte gumové nohy # 16 do príslušných otvorov.

### Obrázok 6

Priskrutkujte držiaky šablóny # 13 k šablóne # 5. Použite skrutky # 14.

### Obrázok 7

Pripevnite horné a čelné prítlaky # 4, pomocou ovládacích skrutiek # 7, pružín # 9, a podložiek # 8.



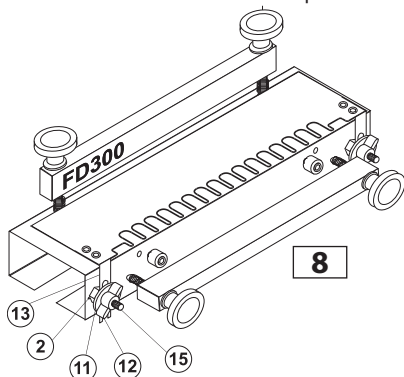
### Jen pre FD600

U FD600 je dodávaná tretia stredová ovládací skrutka prítlakov.

**Túto namontujte len pri šírke dielca do 305mm (12").**

### Obrázok 8

Zmontovanú šablónu vložte na zariadenie. Držiaky šablóny # 13 zasuňte na skrutky # 15 medzi dorazovú maticu # 2 a podložku # 11. Uťahnite na oboch koncoch pomocou ovládacích matíc # 12.



### Systém dorazov

#### FD300 Obrázok 11

Dorazy slúžia k ustávaní dielcov voči sebe a vzhľadom k šablóne. Dorazy u typu FD300 sú pevne priskrutkované k telu zariadenia a preto pevne určujú umiestnenie čapov alebo cinkov od hrany dielu. K dosiahnutiu vycentrovaného spoja musíte dodržať doporučené šírky dielcov podľa typu spoja viď ďalej. Osu posunutia bočnej hrany dielca od prvej drážky šablóny budeme nazývať bočná osa pozície spoje.

Rozeč medzi U1 a U2 je 9,5mm (3/8"). Toto je pre čela zásuviek s osadením.

### FD600 Obrázok 12

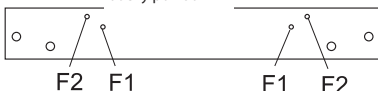
Dorazy u FD600 sú pohyblivé - prestaviteľné. To umožňuje vycentrovať spoj na dielci. Posuvný systém dorazov má meradlo, ktoré umožňuje docentrovat' precízne pozíciu spoja na dielci pri symetrických spojoch.

- 1/ Povoľte ovládacíu maticu posuvného systému dorazov. Pohnite dorazy smerom od stredu zariadenia von.
- 2/ Voľne vložte diel pod horný prítlak.
- 3/ Vložte šablónu a utiahnite ju ovládacími maticami.
- 4/ Pohybnite dielcom tak, že hrana dielca je rovnobežná s hranou ukazateľa na šablóne - len pre polokryté rybinové spoje, otvorené rybinové spoje a kolíkový spoj. U čapových spojoch sledujte príslušnú kapitolu.
- 5/ Uťahnite horný prítlak. Posuňte dorazy smerom k hrane dielca tak aby sa dotýkali dielca a zafixujte dorazy ovládacíu maticou.
- 6/ Vykonajte rovnako pre druhú stranu.

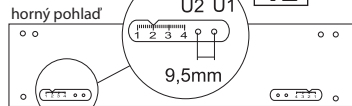
horný pohľad



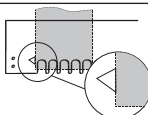
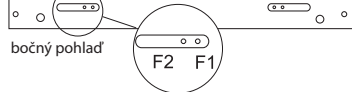
bočný pohľad



horný pohľad



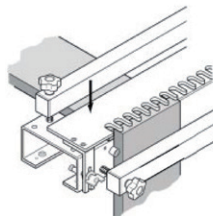
bočný pohľad



**POZOR:** Najprv otestujte nastavenie na odpadovom materiáli aby ste dosiahli perfektné symetrického spoja.

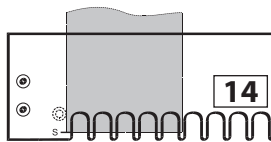
## Nastavenie šablóny **Obrázky 13 – 14**

- 1/ Povoľte ovládaciu maticu #12.
- 2/ Otáčajte maticou #2 smerom k zariadeniu pre dosiahnutie hlbšieho spoja, alebo od zariadenia pre dosiahnutie plytšieho spoja.
- 3/ Otáčanie ukončíte akonáhle dosiahnete pozície, kedy sa značka S na šablóne kryje s prednou hranou dielca. Jedna otáčka sa rovná 1mm posunu.
- 4/ Utiahnite držiak šablóny ovládacou maticou.
- 5/ Vždy sa presvedčte, že je šablóna rovnobežná s hranou tela zariadenia.

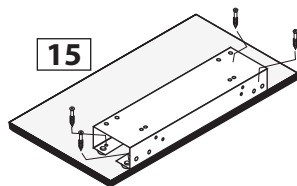
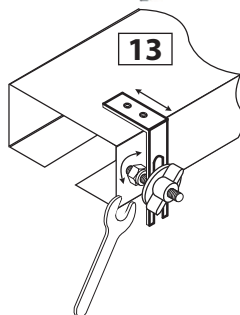
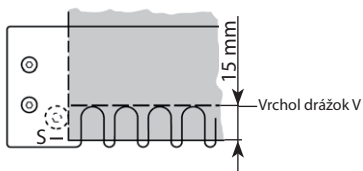


## Ryska S (imaginárna os S rovnobežná s hranou šablóny) **Obrázok 14**

FD300 - šablóna má laserom vyznačenú rysku S.  
 FD600 - nakreslite na šablónu rysku S vo vzdialenosti 15 mm od vrcholu drážok V



Pomyslná osa S



## Montáž k pracovnému stolu alebo doske **Obrázok 15**

Pripevnite zariadenie na pracovnú dosku alebo stôl pomocou priložených vrutov

## Vyrovnanie dielcov **Obrázok 16**

Vždy starostlivo vyrovnajte dielce voči sebe. Dielec na hornej ploche zariadenia musí byť dorazený k prednému dielcu a k použitému dorazu na hornej strane. Dielec na čelnej strane musí byť zároveň s hornou hranou horného dielca a musí byť dorazený k použitému dorazu na čelnej strane.

Upínacie prítlaky a ovládacie skrutky a matice

Neuťahujte nadmerne ovládacie skrutky a matice. Prítlak musí byť ťahaný paralelne voči telu zariadenia.

Ak pracujete na jednej strane, povoľujte ovládaciu skrutku najprv na druhej strane.

### Len pre FD600

U FD600 je dodávaná tretia stredová ovládací skrutka prítlakov. Tento namontujte len pri šírke dielca do 305mm (12").

### Upozornenie:

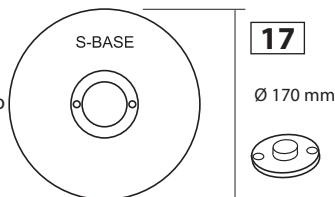
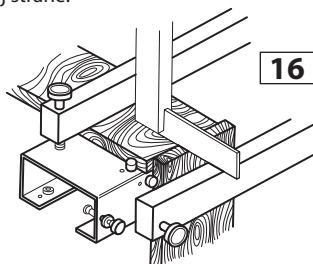
**Všetky obrázky ukazujú výrobu spoja na ľavej strane zariadenia. Rovnaký postup opakujte pre pravú stranu. Majte na pamäti, že uvedené rozmery sú len približné.**

**Všetky uvedené nastavenia hĺbky fréz sú len vzorové. Najprv vykonajte skúšobný rez na odpadovom materiáli pred začatím výroby dielcov.**

## Nastavenie hornej frézky

### Obrázok 17

Kopírovacie krúžky sú dodávané so zariadením a dá sa ich montovať priamo do vybraných typov horných frézok napr. DeWalt, Elu a ďalších . pre ďalšie modely použite S-BASE redukčnú dosku dodávanú ako príslušenstvo pre kopírovacie krúžky. Redukčná doska umožňuje montáž našich kopírovacích krúžkov na všetky typy horných frézok na trhu.



**S-BASE spresňuje vycentrovanie medzi stopkovou frézou a kopírovacím krúžkom. Tým dosiahnete omnoho presnejší spoj. Preto odporúčame použiť tieto redukčné dosky vždy, ak sa nedá namontovať kopírovací krúžok do Vašej hornej frézy priamo.**

Postup pre upnutie a vycentrovanie kopírovacieho krúžku nájdete v návodu k obsluhu S-BASE.

- 1) Vždy odpojte hornú frézu zo zásuvky el. prúdu pred nastavovaním alebo výmenou nástroja.
- 2) Vložte kopírovací krúžok na frézu. Priemer krúžku je rôzny podľa typu spoja. Sledujte tabuľku v príslušnej časti návodu k obsluhu.
- 3) Zídte frézku maximálne na spodný doraz tak aby sa klieština takmer dotýkala kopírovacieho krúžku.
- 4) Vložte stopkovú frézu do klieštiny frézy a utiahnite.
- 5) Nastavte pracovnú hĺbku stopkovej frézy na fréze ako ukazuje Obrázok 18 podľa tabuľky u príslušného typu spoja.



Obrázky 19-26

### ŠABLONA pre 12,7mm (1/2") POLOKRYTÝ RYBINOVÝ SPOJ

Použitie so štandardnou šablónou. Oba dielce sú frézované naraz.

Popis spoja	Informácie o dorazoch			Ø Kopírovacieho krúžku	Stopková fréza	Rezná hĺbka
	Priemer	Farba	Pozícia			
12,7mm (1/2") Polokrytý rybinový FD300 & 600	Ø 10mm	strieborná	U1	15,8mm 5/8"	Ø 1/2" x 1/2" Ø 12,7 x 12,7mm x 14°	13,5mm 17/32"
	Ø 10mm	strieborná	F1			

### Príprava materiálu

Je veľmi dôležité si pripraviť a naplánovať Vašu prácu pred začatím frézovania. Zariadením FD300 & 600 zhotovíte obe dve strany cinkového spoja naraz.

Vždy si označte jednotlivé diely zásuvky ako je ukázané na obrázku 19

PREDNÁ/ZADNÁ/PRAVÁ/LAVÁ .

DNO\_ SPODNÁ ČASŤ

X1\_ LAVÝ DIEL

Y1\_ PREDNÝ DIEL

X2\_ PRAVÝ DIEL

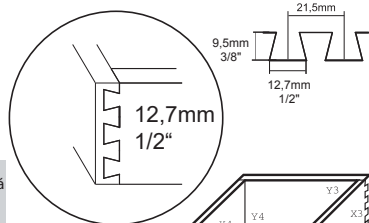
Y2\_ PREDNÝ DIEL

X3\_ PRAVÝ DIEL

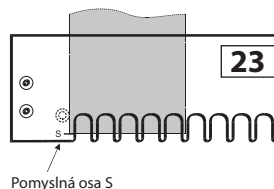
Y3\_ ZADNÝ DIEL

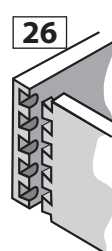
X4\_ LAVÝ DIEL

Y4\_ ZADNÝ DIEL



Diely X vkladajte pod čelný prítlak a diely Y pod horný prítlak. Párne čísla dielcov k dorazom na ľavej strane, nepárne čísla dielcov k dorazom na pravej strane.





**Upozornenie:**

Rozmery uvedené v tejto príručke nezahŕňujú prípadné tolerancie pri výrobe kopírovacích krúžkov, šablón a fréz. Preto používajte tieto rozmery ako navádzacie a vždy vykonajte skúšobnú výrobu vzorku pred začatím výroby vlastného výrobku.

**Šírka dielca**

Pre šablónu 12,7mm (½") polokrytý rybinový spoj môže byť použitá akákoľvek šírka dielca 21,5mm (7/8") - 305mm (12") pre FD300 a 21,5mm (7/8") - 610mm (24") pre FD600. pre voľbu ideálnej šírky dielca symetrického spoja použite nasledujúci tabuľku.

#Počet cinkov:		1	2	3	4	5	6	7	8
Ideálna šírka	mm	21,5	43	64,5	86	107,5	129	150,5	172
	inch	7/8"	1-11/16"	2-1/2"	3-3/8"	4-1/4"	5-1/6"	5-15/16"	6-3/4"

**Nastavenie**

- Naskrutkujte dorazy do pozícií podľa tabuľky.
- Vložte diel X pod predný čelný prítlak , tak aby prečnieval hranu prípravku. Prítlak ľahko dotiahnite.
- Vložte diel Y pod horný prítlak.
- Dorazte diel Y k bočnému dorazu a k dielu X. Utiahnite horný prítlak.
- Prepnite diel X tak, aby neprečnieval diel Y a zároveň sa opieral o doraz .
- Diel Y upnite čelným prítlakom .
- Vložte šablónu na prípravok , kopírovacími výrezy smerom k Vám.
- Nastavte šablónu tak, aby sa značka S na šablóne kryla s prednou hranou dielca pod horným prítlakom. Jedna otáčka dorazovej matice predstavuje posun šablóny o 1mm. (vykonáva sa na oboch stranách zariadenia)
- Šablónu upnite ovládacími maticami.
- Vložte kopírovací krúžok podľa tabuľky do základne hornej frézyky .
- Upnite nástroj - rybinovú frézu podľa tabuľky do hornej frézyky.
- Nastavte hĺbku frézovania podľa tabuľky

**Pozor: Doporučená hĺbka frézovania je len približná, vždy vykonajte skúšobný rez na testovacom odpadovom diely, k dosiahnutiu presnej hĺbky frézovania.**

**Pozor!**

- Uistite sa, že oba diely sú bezpečne upnuté a že sa dotýkajú dorazov.
- Vždy upínajte len jednu sadu dielcov. Uistite sa, že sa stopková fréza nedotýka držiakov šablóny pred a behom frézovania spoja.
- Neuťahujte ovládaciu maticu nadmernou silou, aby nedošlo k strhnutiu závitú.
- Zväčšovaním alebo zmenšovaním reznej hĺbky je spoj tesnejší alebo voľnejší.

## Frézovanie

- Vložte frézu na šablónu tak, aby sa fréza nedotýkala dielca.
- Zapnite frézu a vykonajte jeden plytký rez zľava doprava. Frézujte len prednú hranu. Tento postup Vám eliminuje otrepy na hrane.
- Teraz starostlivo frézujte zľava doprava a kopírujte krúžkom zárezy šablóny.
- Vypnite hornú frézu a položte ju mimo zariadenia.
- Skontrolujte, či vo všetkých zárezoch sú vyfrézované cinky čisto. Ak zistíte, že niekde ostáva materiál vykonajte frézovanie ešte raz bez prestavenia šablóny!!!
- Vyberte diely zo zariadenia.
- Vyskúšajte diely.

**POZOR! Nezdvíhajte hornú frézu nad šablónu, inak zničíte šablónu a stokovú frézu.**

**Ak nie je spoj perfektný:**

**Spoj je voľný = zväčšíte reznú hĺbku stopkovej frézy.**

**Spoj je tesný = zmenšíte reznú hĺbku stopkovej frézy.**

**Spoj je plytký = posuňte šablónou smerom k zariadeniu.**

**Spoj je hlboký = posuňte šablónou smerom od zariadenia.**

## ŠABLONA pre 12,7mm (1/2") POLOKRYTÝ RYBINOVÝ SPOJ s osadením

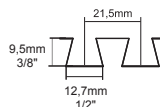
**Obrázky 27-30 Použitie sa štandardnou šablónou . Každý diel je frézovaný samostatne.**

**Poznámka:** V mnoho prípadoch je polokrytý rybinový spoj s osadením používaný len na čela zásuviek. Ak si prajete spojiť bočné časti zásuvky so zadnou štandardným polokrytým rybinovým spojom použite pre jeho výrobu inštrukcie v predchádzajúcej časti tohoto návodu.

Popis spoja	Informácie o dorazoch			Ø Kopírovacieho krúžku	Stopková fréza	Rezná hĺbka
	Priemer	Farba	Pozície			
<b>12,7mm (1/2") polokrytý rybinový spoj FD300 &amp; 600</b>	Ø 10mm	strieborná	U2	15,8mm 5/8"	Ø 1/2" x 1/2" Ø 12,7 x 12,7mm x 14°	13,5mm 17/32"
	Ø 10mm	strieborná	F1			

## Nastavenie zariadenia

Naskrutkujte dorazy do pozícií podľa tabuľky.



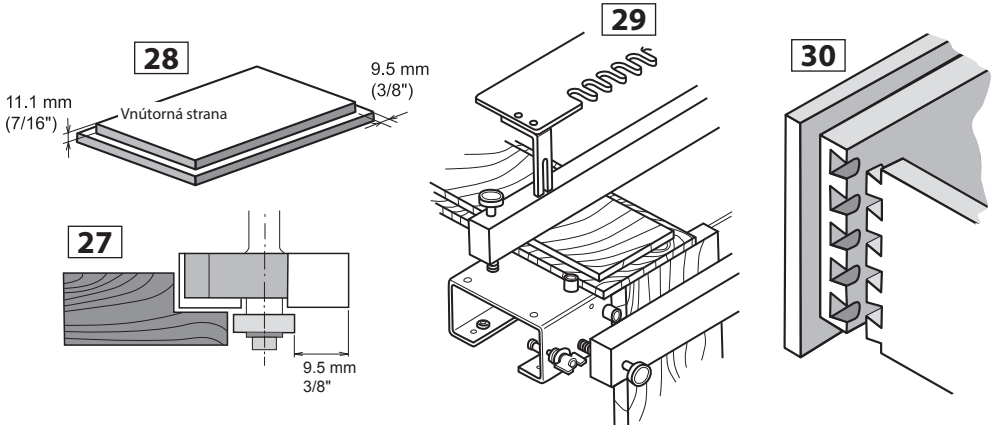
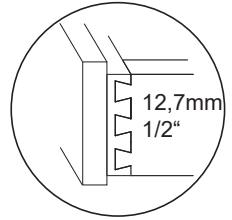
## Príprava zásuvkového čelného diela s osadením

- Pripravte si diel o 19mm (3/4") dlhší a širší. **Obrázok 28.**
- Frézujte polodrážku šírky 9,5mm (3/8") a hĺbky 11,1mm (7/16") po celom obvode dielu.
- Vložte oporný diel hrúbky 9,5mm (3/8") pod predný prítlak a pritlačte ho k dorazu.
- Utiahnite predný prítlak. **Obrázok 27 & 28.**
- Vložte diel s osadením pod horný prítlak a vyrovnajte ho tak, aby neprečnieval hranu dielu pod čelným prítlakom a bol dorazený k dorazu. **Obrázok 29.**
- Utiahnite horný prítlak.
- Odstráňte oporný diel z čelného prítlaku.
- Vložte šablónu na prípravok, kopírovacími výrezy smerom k Vám.
- Nastavte šablónu tak, aby sa značka S na šablóne kryla s prednou hranou osadenia dielca pod horným prítlakom. Jedna otáčka dorazovej matice predstavuje posun šablóny o 1mm. (vykonáva sa na oboch stranách zariadenia)
- Šablónu upnite ovládacími maticami.
- Vložte kopírovací krúžok podľa tabuľky do základne hornej frézyky .
- Upnite nástroj - rybinovú frézu podľa tabuľky do hornej frézyky.
- Nastavte hĺbku frézovania podľa tabuľky.

**Pozor:** Doporučená hĺbka frézovania je len približná, vždy vykonajte skúšobný rez na testovacom odpadovom diely, k dosiahnutiu presnej hĺbky frézovania.

## Frézovanie

- Vložte frézu na šablónu tak, aby sa fréza nedotýkala dielca.
- Zapnite frézu a vykonajte jeden plytký rez zľava doprava. Frézujte len prednú hranu. Tento postup Vám eliminuje otrepy na hrane.
- Teraz starostlivo frézujte zľava doprava a kopírujte krúžkom zárezy šablóny.
- Vypnite hornú frézu a položte ju mimo zariadenia.
- Skontrolujte, či vo všetkých zárezoch sú vyfrézované cinky čisto. Ak zistíte, že niekde ostáva materiál vykonajte frézovanie ešte raz bez prestavenia šablóny!!!
- Vyberte diely zo zariadenia.
- Vyskúšajte diely.



## Zásuvkový bočný diel

- Vložte pomocný diel rovnakej šírky ako bočný diel a hrúbky 13mm pod horný prítlak.
- Vložte bočný diel pod predný prítlak. Vyrovnajte oba diely ku koncovému dorazu a uholníkom sa presvedčte o vyrovnaní oboch dielov.
- Upnite oba diely prítlakmi.
- Vložte šablónu s držiakmi na zariadenie a upnite ovládacími maticami.

## Frézovanie

- Vložte frézu na šablónu tak, aby sa fréza nedotýkala dielca.
- Zapnite frézu a vykonajte jeden plytký rez zľava doprava. Frézujte len prednú hranu. Tento postup Vám eliminuje otrepy na hrane.
- Teraz starostlivo frézujte zľava doprava a kopírujte krúžkom zárezy šablóny.
- Vypnite hornú frézu a položte ju mimo zariadenia.
- Skontrolujte, či vo všetkých zárezoch sú vyfrézované cinky čisto. Ak zistíte, že niekde ostáva materiál vykonajte frézovanie ešte raz bez prestavenia šablóny!!!
- Vyberte diely zo zariadenia.
- Vyskúšajte diely.

### Ak nie je spoj perfektný:

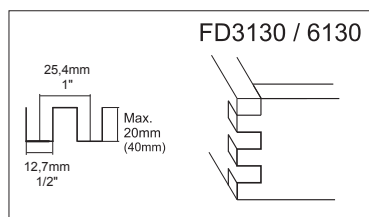
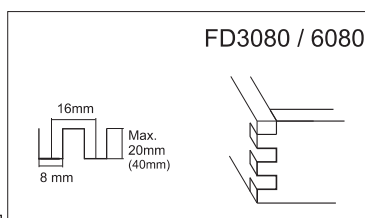
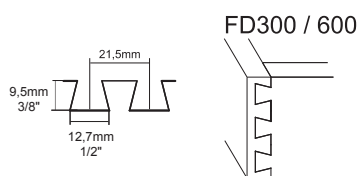
- Spoj je voľný = zväčšite reznú hĺbku stopkovej frézy.**
- Spoj je tesný = zmenšite reznou hĺbku stopkovej frézy.**
- Spoj je plytký = posuňte šablónou smerom k zariadeniu.**
- Spoj je hlboký = posuňte šablónou smerom od zariadenia.**

**BEZPEČNOST**

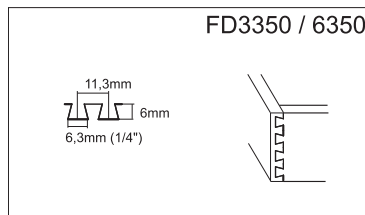
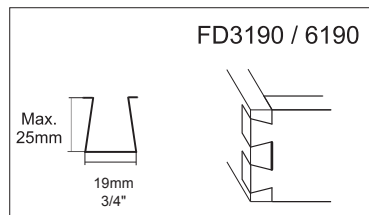
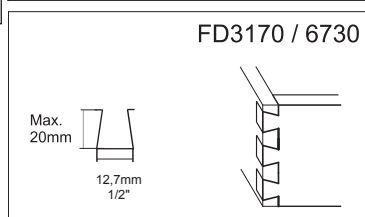
- Pred výmenou stopkovej frézy alebo pri nastavovaní , vždy vypnite fréžku a odpojte od prívodu elektrického prúdu.
- Pri frézovaní používajte ochranné okuliare.
- Používajte chrániče sluchu.
- Vždy používajte proti prachovou masku alebo respirátor.
- Používajte odsávacie zariadenie.
- Nenoste voľnú odev. Uistite sa, že máte vyhrnuté alebo upnuté voľné rukávy a že nemáte viazanku.
- Pred zapnutím fréžky odstráňte všetky nástroje, matice , kľúče a ďalšie voľné objekty z pracovného priestoru.
- Predídte nechcenému zapnutiu fréžky. Pred zasunutím zástrčky do zásuvky a pred pripojením k zdroju prúdu sa uistite, že vypínač je v polohe „vypnuté“.
- Než začnete akékoľvek nastavovanie, počkajte, až sa fréza sama úplne zastaví.

FD300 & 600 ZOZNAM NÁHRADNÝCH DIELOV		v.5 od 2011	
Pos. #	Popis	množstvo	Obj.číslo
1	Telo FD300	1	
	Telo FD600	1	
2	Nastavovacie matice držiakov šablóny FD300 a FD600	2	
3	Doraz	4	FD3001-03
4	Prítlak FD300	2	FD3001-95
	Prítlak FD600	2	FD6001-95
5	Šablóna 12,7mm polokrytý rybinový spoj FD300	1	FD300-07
	Šablóna 12,7mm polokrytý rybinový spoj FD600	1	FD600-07
7	Ovládacia skrutka M8x90 FD300 a FD600	4	FS100119
8	Podložka 8 FD300 a FD600	4	FS101004
9	Pružina FD300 a FD600	4	FD6001-11
10	Skrutka M4 x 16	4	FS200126
11	Podložka 6 FD300 a FD600	2	
12	Ovládacia matica M6 FD300 a FD600	2	FS100106
13	Držiak šablóny FD300 a FD600	2	FD6001-22
14	Skrutka M4 x 8	4	FS200128
15	Skrutka M6 FD300 a FD600	2	
16	Gumová noha	4	FS990002
17	Uťahovací posuvný U-profil FD600	2	FD6001-17
18	Skrutka M6 FD600	2	FS200112
20	Posuvná základňa s meradlom pravá FD600	1	FD6001-08A
	Posuvná základňa s meradlom ľavá FD600	1	FD6001-08B

21	Kopírovací krúžok D15,8mm x 4mm	1	FGB158-04
22	Skrutka M5 x 8	2	FS200143
23	Imbus kľúč 2,5	1	F099-06200
24	Imbus kľúč 4 FD300	1	FS800005
68	Kľúč 10 pre FD300	1	FS800008
61	Oporná podložka horná 2 x M4 FD600	2	FD6001-15
62	Oporná podložka horná FD600	2	FD6001-16
63	Oporná podložka 2 x M4 FD600	2	FD6001-18
64	Distančná podložka 0,2mm FD600	4	FS101013
65	Skrutka M4 x 12 FD600	4	
66	Skrutka M4 x 25 FD600	4	



**31**





# FD300 & 600 FOGAZÓ ÖSSZEKÖTŐ KÉSZÍTMÉNY

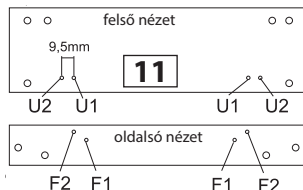
## CSOMAGOLÁS TARTALMA

Képek 1 és 2. A 61-66 részek már fel vannak szerelve

FD300 & 600 lehetővé teszi 12,7mm (1/2") félig takart fecskefark kötés marását felsőmaró segítségével fecskefark maróval és másológéppel.

További sablonok segítségével (különállóan szállítva) lehetséges marni:

- 6,35mm (1/4") félig takart fecskefarkkötés
- 8mm (5/16") csapos kötés
- 12,7mm (1/2") csapos kötés
- 12,7mm (1/2") nyitott fecskefarkkötés.
- 19mm (3/4") nyitott fecskefarkkötés.
- 32mm tiplikötés



### Standard felszerelés:

Kötés mérete:

Max. kötés szélessége:

Darab vastagsága:

Másológéjú vastagsága:

Súly:

Max. marógép alapzatának átmérője:

### FD300

félig takart fecskefark 12,7mm (1/2")

305mm (12")

12-25mm (7/16" - 1")

15,8mm (5/8")

6,9kg (15.2 font)

180mm (7-1/16")

### FD600

12,7mm (1/2")

610mm (24")

12-25mm (7/16" - 1")

15,8mm (5/8")

12,3kg (27 font)

180mm (7-1/16")

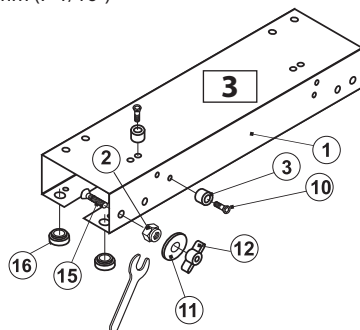
## KÉSZÍTMÉNY ÖSSZESZERELÉSE

### Kép 3

Csavarozza a csavart #15 imbusz kulcs segítségével 4 (FD300) vagy imbusz 5 (FD600) a készítmény testébe #1 és a csavart húzza meg. A másik oldalról csavarozza fel a csavart az ütköző anyára #.2. A csavarra helyezze fel az alátétet #11. és csavarozza fel az irányító anyát # 12. Ismétlje ezt az eljárást a készítmény másik oldalán is.

### Csak FD300

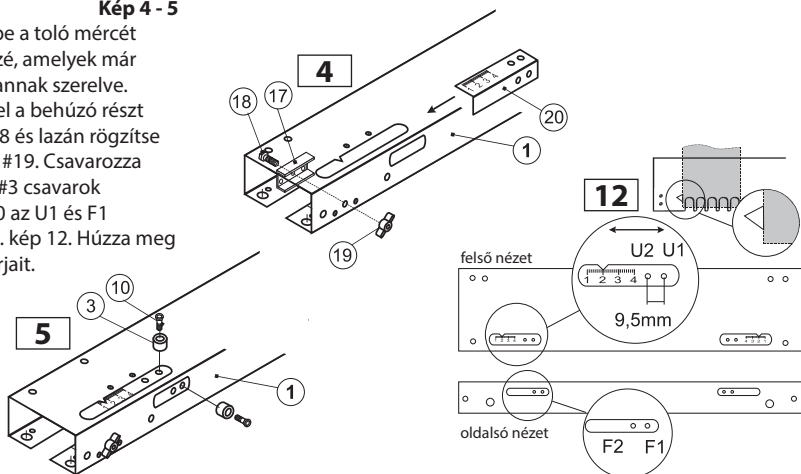
Csavarozza fel az ütközőket #3 csavarok segítségével #10. a testbe#1. Az ütközőket helyezze az U1 pozícióba a készítmény felső oldalán és F1 az elülső oldalán, lásd. kép 11.



### JCsak FD600

### Kép 4 - 5

Először sz tolja be a toló mércét # 20 a tartók közé, amelyek már gyártásból fel vannak szerelve. Majd helyezze fel a behúzó részt #17 csavarral #18 és lazán rögzítse irányító anyával #19. Csavarozza fel az ütközőket #3 csavarok segítségével #10 az U1 és F1 pozícióba, lásd. kép 12. Húzza meg az ütköző csavarjait.



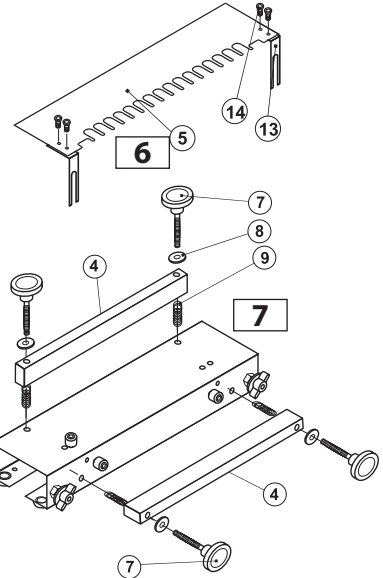
Helyezze a gumilábakat # 16 a megfelelő nyílásokba.

## Kép 6

Csavarozza fel a sablon tartókat # 13 a sablonhoz # 5. Használjon csavarokat # 14.

## Kép 7

Rögzítse a felső és elülső szorítókat # 4. irányító csavarok #.7, rúgók #9., és alátétek #8 segítségével.

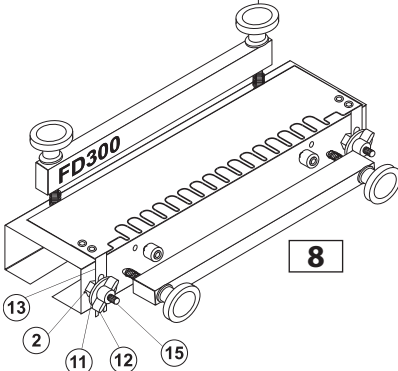


### Csak FD600

FD600 harmadik középső irányító csavarral van szállítva. Ezt csak munkadarab 305mm (12") szélességig szerelje fel.

## Kép 8

Az összeszerelt sablont helyezze a készítményre. A sablon tartókat #13 tojja a csavarokara #15 az ütköző anya #2 és alátét #11 közé. Húzza meg mindkét oldalon irányító anyák segítségével #12.



## Ütközők rendszere FD300 Kép 11

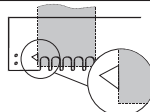
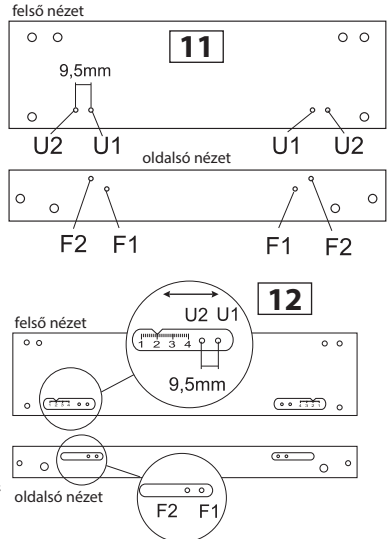
Az ütközők a darabok beállítására szolgálnak egymással szemben a sablon szerint. A FD300 típusú ütközők fixen vannak felcsavarozva a készítmény testére, ezért fixen adják meg a csapok vagy fecskéfarkak helyzetét a darabok élén. A központosított kötésért be kell tartania az ajánlott munkadarab szélességeket a kötés típusa szerint, lásd. alább. Az oldalsó él eltolódásának tengelyét a sablon első hornyától kötés pozíciójának oldalsó tengelyének fogjuk nevezni.

A térköz U1 és U2 között 9,5mm ( 3/8"). Ez fiókok elülső részére alkalmas.

### FD600 Kép 12

A FD600 ütközők mozgathatók - állíthatók. Ez lehetővé teszi a kötés központosítását a munkadarabon. Az ütközők csúszo rendszere mércével rendelkezik, amely lehetővé teszi pontosan központosítani a kötés pozícióját a munkadarabon szimmetrikus kötéseknel.

- 1/ Lazítsa meg ütközők csúszo rendszerének irányító nyáját.
- 2/ Tojja az ütközőket kifelé a készítmény közepe felől.
- 3/ Lazán helyezze a darabot a felső szorító alá.
- 3/ Helyezze be a sablont és rögzítse irányító anyákkal.
- 4/ Állítsa be a darabot, hogy az éle párhuzamos legyen a sablon mutatójának élével – csak féig takart fecskéfarkkötéseknél, nyitott fecskéfarkkötéseknél és tiplikötéseknél. Csapos kötéseknel olvassa a megfelelő fejezetet.
- 5/ Húzza meg a felső szorítót. Tojja az ütközőket a darab éléhez úgy, hogy érintsék azt és rögzítse őket irányító anyával.
- 6/ Ismételje az eljárást a másik oldalon is.



**VIGYÁZAT:** Először ellenőrizze a beállítást hulladék darabon, hogy pontosan szimmetrikus kötést érjen el.

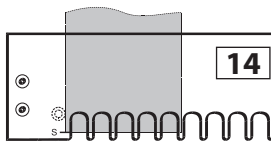
### Sablon beállítása Képek 13 – 14

- 1/ Lazítsa meg az irányító anyát #12.
- 2/ Forgassa az anyát #2 a készítmény irányában mélyebb kötésért, vagy elfelé tőle sekélyebb kötésért.
- 3/ A forgatást hagyja abba, amint eléri a pozíciót, ahol a S jelölés a sablonon fedi a darab elülső élét. Egy fordulat egyenlő 1 mm tolással.
- 4/ Húzza meg a sablon tartót irányító anyával.
- 5/ Mindig bizonyosodjon meg, hogy a sablon párhuzamos a készítmény testének élével.

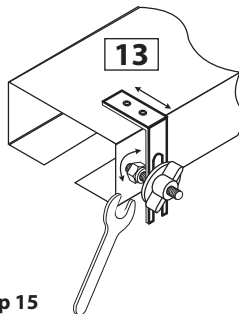
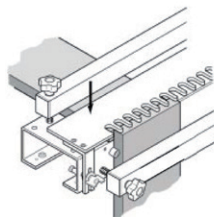
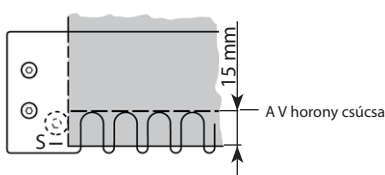
### S jel (S képzeletbeli tengely, amely párhuzamos a sablon élével) 14. ábra

FD300 - a sablon lézerrel megjelölt S jellel rendelkezik.

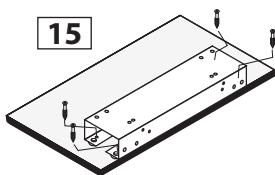
FD600 - rajzolja meg az S jelet a sablonra 15 mm távolságra a V horony csúcsától



Képzeletbeli tengely S



15



### Munkasztalhoz vagy lemezhez való szerelés Kép 15

Rögzítse a készítményt munkalemezhez vagy asztalhoz a szállított csavarok segítségével.

### Munkadarabok kiegyenlítése Kép 16

Mindig egyenlítse ki a munkadarabokat egymással szemben. A munkadarabnak a felső felületen érintenie kell az elülső munkadarabot a használt ütköző által a felső oldalon.

A munkadarabnak az elülső oldalon ülnie kell a felső darab felső élével és érintenie kell a használt ütközőt az elülső oldalon.

Szorítók és irányító csavarok és anyák

Ne húzza meg túlzottan az irányító csavarokat és anyákat. A szorítót párhuzamosan kell meghúzni a készítmény testével szemben.

Ha az egyik oldalon dolgozik, lazítsa a csavart először a másik oldalon.

#### Csak FD600

A FD600 harmadik középső irányító csavarral van szállítva.

Ezt csak munkadarab 305mm (12") szélességig szerelje fel.

#### Figyelmeztetés:

Minden kép a kötés gyártását a készítmény bal oldalán ábrázolja.

Ugyanazt a folyamatot ismételje a készítmény másik oldalán is.

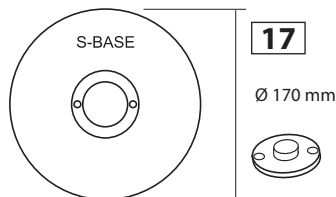
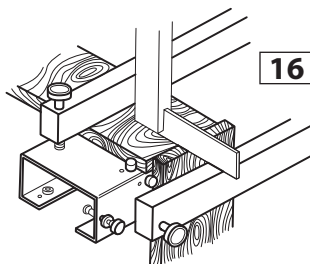
Vegye figyelembe, hogy az ábrázolt méretek csak megközelítők.

Minden említett maró mélység beállítás csak minta. Először csináljon próbavágást hulladék anyagon munka megkezdése előtt.

### Felsőmaró beállítása

#### Kép 17

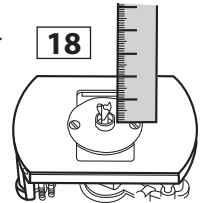
A másológűrűk a készítménnyel vannak szállítva és behelyezhetők a választott felsőmaró típusokba, pl. DeWalt, Elu és továbbiak. Más modellekre használja a S-BASE redukciós lemezt, amely mint tartozék van szállítva másológűrűkhöz. A redukciós lemez lehetővé teszi további másológűrűk felszerelését minden típusú felsőmaróba a piacon.



**S-BASE növeli a központozást az ujjmaró és másológyűrű között. Így sokkal pontosabb kötéseket érhet el. Ezért tanácsoljuk reduktós lemez használatát mindig, amikor nem lehetséges a másológyűrűt közvetlenül felsőmarójába szerelni.**

A másológyűrű befogtatásának és központozásának menetét a S-BASE használati útmutatójában találja.

- 1) Mindig húzza ki a felsőmarót a konnektorból másológyűrű beállítása vagy cseréje előtt.
- 2) Helyezze fel másológyűrűt a marógépre. A másológyűrű átmérője változó kötés típusa szerint. 18 Figyelje a táblázatot a használati útmutató megfelelő részében.
- 3) A marógéppel maximum az alsó ütközőig menjen, hogy a befogógyűrű érintse a másológyűrűt.
- 4) Helyezze az ujjmarót a marógép befogó gyűrűjébe és rögzítse.
- 5) Állítsa be a munkamélységet a Kép 18 szerint az adott táblázat és kötés típusa szerint.



Képek 19-26

**SABLON 12,7mm (1/2") FÉLIG TAKART FECSEKFAKÖTÉSRE**

Használat standard sablonnal. Mindkét darab egyszerre van marva.

Kötés leírása	Információk ütközőkről			Ø Másológyűrű	Ujjmaró	Vágási mélység
	Átmérő	Szín	Pozíció			
12,7mm (1/2") Félig takart fecse- farkkötés FD300 & 600	Ø 10mm	ezüst	U1	15,8mm 5/8"	Ø 1/2" x 1/2" Ø 12,7 x 12,7mm x 14°	13,5mm 17/32"
	Ø 10mm	ezüst	F1			

**Anyag előkészítése**

Nagyon fontos előkészíteni és megtervezni a munkáját marás megkezdése előtt. A FD300 & 600 készítménnyel a kötés mindkét oldalát egyszerre készíti el.

Mindig jelölje meg a fiók egyes részeit, ahogy a kép 19 ábrázolja

ELÜLSŐ / HÁTSÓ / JOBB / BAL.

ALJ\_ ALSÓ RÉSZ

X1\_JOBBOLDALI RÉSZ

Y1\_BALOLDALI RÉSZ BAL

belső oldal JOBB

belső oldal

X2\_JOBBOLDALI RÉSZ

Y2\_ELÜLSŐ RÉSZ

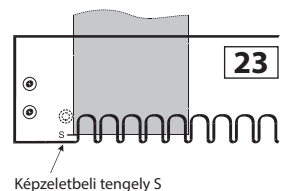
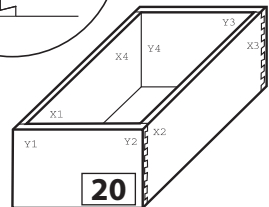
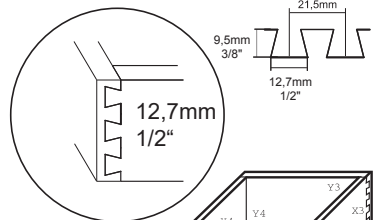
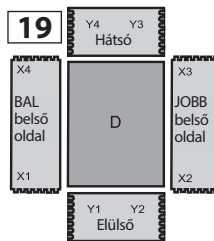
X3\_JOBBOLDALI RÉSZ

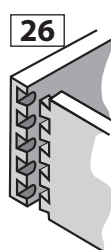
Y3\_HÁTSÓ RÉSZ

X4\_BALOLDALI RÉSZ

Y4\_HÁTSÓ RÉSZ

Az X részeket helyezze az elülső szorító alá és az Y részeket a felső szorító alá. A páros számokat a bal oldali ütközőkhöz és a páratlanokat a jobboldali ütközőkhöz.





### Figyelmeztetés:

Ezen útmutatóban feltüntetett méretek nem foglalják magukba az esetleges toleranciákat másológyűrűk, sablonok és marók gyártásánál. Ezért ezeket a méreteket, mint iránymutatókat használja és mindig ellenőrizze hulladékanyagunk munka megkezdése előtt.

### Munkadarab szélessége

A 12,7mm (1/2") sablonhoz a félig takart fecskefarkkötés lehet bármilyen szélesség 21,5mm (7/8") - 305mm (12") FD300 és 21,5mm (7/8") - 610mm (24") FD600. Ideális szélesség választásához szimmetrikus kötéshez használja az alábbi táblázatot.

#Fogak száma:		1	2	3	4	5	6	7	8
Ideális szélesség	mm	21,5	43	64,5	86	107,5	129	150,5	172
	inch	7/8"	1-11/16"	2-1/2"	3-3/8"	4-1/4"	5-1/6"	5-15/16"	6-3/4"

### Beállítás

- Csavarozza fel az ütközőket a pozíciókba a táblázat szerint.
- Helyezze az X részt az elülső szorító alá úgy, hogy kilógjon a készítmény éle felett. A szorítót lazán húzza meg.
- Helyezze az Y részt a felső szorító alá.
- Ütköztesse az Y részt az oldalsó ütközőnek és X résznek. Húzza meg a felső szorítót.
- Helyezze át az X részt úgy, hogy ne érjen túl a Y részen és támaszkodjon az ütközőnek.
- Az Y részt fogassa be az elülső szorítóval.
- Helyezze a sablont a készítményre, másoló mélyedésekkel Őn felé fordítva.
- Állítsa be a sablont úgy, hogy az S jelzés a sablonon fedje a darab elülső élét a felső szorító alatt. Ütköző anyaga egy fordulata sablon 1 mm-es tolását teszi ki. (készítmény mindkét oldalán tegye meg)
- A sablont befogó anyakkal fogassa meg.
- Helyezze a másológyűrűt a táblázat szerint a felsőmaró alapzatába.
- Rögzítse a szerszámot – fecskefark marót a táblázat szerint a felsőmaróba.
- Állítsa be a marás mélységét a táblázat szerint.

**Vigyázat: Minden említett maró mélység beállítás csak minta. Először csináljon próbavágást hulladék anyagon munka megkezdése előtt.**

### VIGYÁZAT!

- **Bizonyosodjon meg, hogy mindkét darab biztonságosan van rögzítve és hogy érintik az ütközőket.**
- **Mindig daraboknak csak egy készletét fogassa be. Bizonyosodjon meg, hogy az ujjmaró nem érinti a tartókat a sablonon a marás előtt és közben.**
- **Ne húzza meg az állító anyákat túl nagy erővel.**
- **Vágási mélység növelésével vagy csökkentésével a kötés szorosabb vagy lazább.**

**Marás**

- Helyezze a marógépet a sablon alá úgy, hogy a maró ne érintse a darabot.
- Kapcsolja be a marógépet és vigyen véghez egy sekély vágást balról jobbra. Marja csak az elülső oldalt. Ez a folyamat megakadályozza a sorját az élen.
- Most gondosan marjon balról jobbra és másolja a vágást másológyűrűvel a sablon bevágásain.
- Kapcsolja ki a marógépet és helyezze a készítményen kívül.
- Ellenőrizze, hogy az összes fog tisztán van kivágva. Ha rájön, hogy valahol van felesleg, újra marja ki a sablon átállítása nélkül!!!
- Vegye ki a részeket a készítményből.
- Próbálja ki a részeket.

**VIGYÁZAT!**

**Ne emelje a felsőmarót a sablon felé vagy tönkreteszi a sablont és ujjmarót.**

**Ha a kötés nem tökéletes:**

**Ha a kötés laza = növelje a vágási mélységet.**

**A kötés szoros = csökkentse a vágási mélységet.**

**A kötés sekély = tolja a sablont a készítmény felé.**

**A kötés mély = tolja a sablont el a készítménytől.**

**SABLON 12,7mm (1/2") FÉLIG TAKART FECSEKFAKÖTÉSRE Képek 27-30**

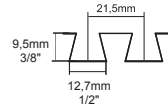
**Használat standard sablonnal. Mindkét darab egyszerre van marva.**

**Megjegyzés:** Sok esetben a félig takart fecskefark kötés a fiókok elülső oldalára van csak használva. Ha a fiók oldalsó részeit a hátsó résszel a standard félig takart fecskefarkkötéssel akarja összekötni, gyártásához használja az előző rész utasításait.

Kötés leírása	Információk ütközőkről			Ø Másológyűrű	Ujjmaró	Vágási mélység
	Átmérő	Szín	pozíció			
<b>12,7mm (1/2") Félig takart fecskefarkkötés FD300 &amp; 600</b>	Ø 10mm	ezüst	U2	15,8mm 5/8"	Ø 1/2" x 1/2" Ø 12,7 x 12,7mm x 14°	13,5mm 17/32"
	Ø 10mm	ezüst	F1			

**Sablon beállítása**

Csavarozza az ütközőket a táblázat szerinti pozíciókba.



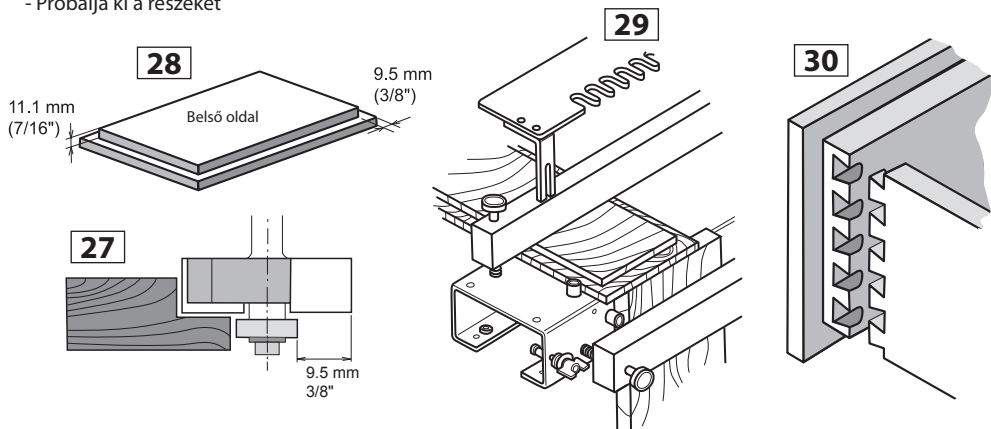
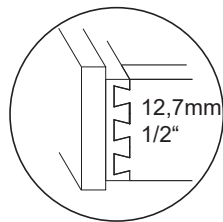
**Fiók első részének előkészítése**

- Készítsen 19mm ( 3/4") hosszabbat és rövidebbet. **Kép 28.**
- Marjon félhornyot 9,5mm (3/8") vastagságban és 11,1mm (7/16") mélységben a darab teljes területén.
- Helyezzen be támasztó darabot 9,5mm (3/8") vastagságban az elülső szorító alá és tolja az ütközőhöz.
- Húzza meg az elülső szorítót. **Kép 27 & 28.**
- Helyezze a darabot a felső szorító alá és egyenlítsse ki, hogy ne lógjon ki az elülső szorító alatti darab éle felett és érintse azütközőt. Kép 29.
- Húzza meg a felső szorítót.
- Távolítsa el a támasztó darabot az elülső szorítóból.
- Helyezze a sablont a készítményre, másoló mélyedésekkel Ön felé fordítva.
- Állítsa be a sablont úgy, hogy az S jelzés a sablonon fedje a darab elülső élét a felső szorító alatt. Ütköző anya egy fordulata sablon 1 mm-es tolását teszi ki. (készítmény mindkét oldalán tegye meg)
- A sablont befogó anyákkal fogassa meg.
- Helyezze a másológyűrűt a táblázat szerint a felsőmaró alapzatába.
- Rögzítse a szerszámot – fecskefark marót a táblázat szerint a felsőmaróba.
- Állítsa be a marás mélységét a táblázat szerint.

**Vigyázat: Minden említett maró mélység beállítás csak minta. Először csináljon próbavágást hulladék anyagon munka megkezdése előtt.**

**Marás**

- Helyezze a marógépet a sablon alá úgy, hogy a maró ne érintse a darabot.
- Kapcsolja be a marógépet és vigyen véghez egy sekély vágást balról jobbra. Marja csak az elülső oldalt. Ez a folyamat megakadályozza a sorját az élen.
- Most gondosan marjon balról jobbra és másolja a vágást másológyűrűvel a sablon bevágásain.
- Kapcsolja ki a marógépet és helyezze a készítményen kívül.
- Ellenőrizze, hogy az összes fog tisztán van kivágva. Ha rájön, hogy valahol van felesleg, újra marja ki a sablon átállítása nélkül!!!
- Vegye ki a részeket a készítményből.
- Próbálja ki a részeket


**Oldalsó fiók rész**

- Helyezze a segéd részt, amely egyforma szélességű mint az oldalsó rész és 13mm vastag a felső szorító alá.
- Helyezze az oldalsó részt az elülső szorító alá. Egyenlítse ki mindkét részt a végütközőhöz és derékszöggel bizonyosodjon meg erről.
- Húzza meg mindkét szorítót.
- Helyezze be a sablont a tartókkal és rögzítse irányító anyákkal.

**Marás**

- Helyezze a marógépet a sablon alá úgy, hogy a maró ne érintse a darabot.
- Kapcsolja be a marógépet és vigyen véghez egy sekély vágást balról jobbra. Marja csak az elülső oldalt. Ez a folyamat megakadályozza a sorját az élen.
- Most gondosan marjon balról jobbra és másolja a vágást másológyűrűvel a sablon bevágásain.
- Kapcsolja ki a marógépet és helyezze a készítményen kívül.
- Ellenőrizze, hogy az összes fog tisztán van kivágva. Ha rájön, hogy valahol van felesleg, újra marja ki a sablon átállítása nélkül!!!
- Vegye ki a részeket a készítményből.
- Próbálja ki a részeket.

**Ha a kötés nem tökéletes:**

- Ha a kötés laza = növelje a vágási mélységet.**
- A kötés szoros = csökkentse a vágási mélységet.**
- A kötés sekély = tolja a sablont a készítmény felé.**
- A kötés mély = tolja a sablont el a készítménytől.**

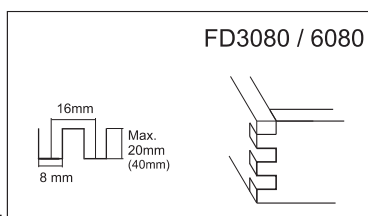
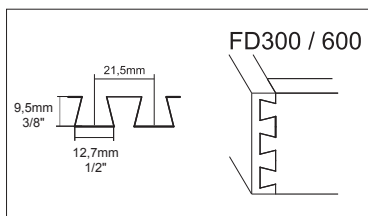
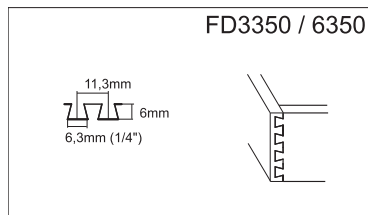
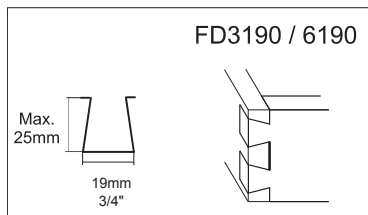
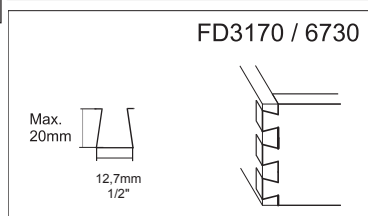
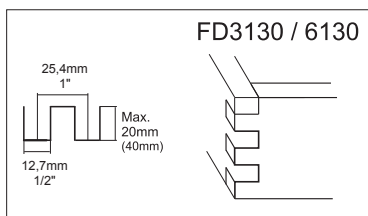
**BIZTONSÁG**

- Ujjmaró cseréje vagy beállítása előtt a marógépet kapcsolja ki és húzza ki a konnektorból.
- Marás közben használjon védőszemüveget.
- Használjon hallásvédőt.
- Mindig használjon porvédő maszkot vagy légzésvédőt.
- Használjon elszívó berendezést.
- Ne viseljen laza ruházatot. Bizonyosodjon meg, hogy az laza ingujjak fel vannak hajtva és hogy nincs nyakkendője.
- Marógép bekapcsolása előtt távolítsa el minden szerszámot, anyát, kulcsot és más szabad tárgyakat a munkaterületből.
- Kerülje a marógép akaratlan bekapcsolását. Mielőtt konnektorba csatlakoztatja, bizonyosodjon meg, hogy a kapcsoló „kikapcsot” pozícióban van.
- Bármilyen beállítás előtt várja meg, míg a maró magától teljesen megáll.

FD300 & 600 CSEREALKATRÉSZEK LISTÁJA		v.5 od 2011	
Pos. #	Leírás	menyiség	Rend. szám
1	Test FD300	1	
	Test FD600	1	
2	Sablontartó állító anyái FD300 és az FD600	2	
3	Ütköző	4	FD3001-03
4	Szorító FD300	2	FD3001-95
	Szorító FD600	2	FD6001-95
5	Sablon 12,7mm félig takart fecskefarkkötés FD300	1	FD300-07
	Sablon 12,7mm félig takart fecskefarkkötés FD600	1	FD600-07
7	Írányító csavar M8x90 FD300 és az FD600	4	FS100119
8	Alátét 8 FD300 és az FD600	4	FS101004
9	Rúgó FD300 és az FD600	4	FD6001-11
10	Csavar M4 x 16	4	FS200126
11	Alátét 6 FD300 és az FD600	2	
12	Írányító anya M6 FD300 és az FD600	2	FS100106
13	Sablontartó FD300 és az FD600	2	FD6001-22
14	Csavar M4 x 8	4	FS200128
15	Csavar M6 FD300 és az FD600	2	
16	Gumiláb	4	FS990002
17	Behúzható csúszó U-profil FD600	2	FD6001-17
18	Csavar M6 FD600	2	FS200112
20	Csúszó alapzat mércével jobb FD600	1	FD6001-08A
	Csúszó alapzat mércével bal FD600	1	FD6001-08B



21	Másológyűrű D15,8mm x 4mm	1	FGB158-04
22	Csavar M5 x 8	2	FS200143
23	Imbusz kulcs 2,5	1	F099-06200
24	Imbusz kulcs 4 FD300	1	FS800005
68	kulcs 10 FD300	1	FS800008
61	Támasztó alátét felső 2 x M4 FD600	2	FD6001-15
62	Támasztó alátét felső FD600	2	FD6001-16
63	Támasztó alátét 2 x M4 FD600	2	FD6001-18
64	Távtartó alátét 0,2mm FD600	4	FS101013
65	Csavar M4 x 12 FD600	4	
66	Csavar M4 x 25 FD600	4	


**31**


## FD300 & 600 URZĄDZENIE DO POŁĄCZEŃ NA JASKÓLCZY OGON

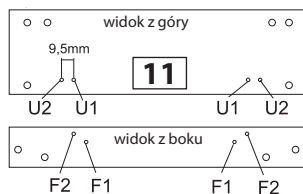
### ZAWARTOŚĆ OPAKOWANIA

rysunki 1 i 2. Komponenty 61-66 są już zamontowane

Modele FD300 & 600 umożliwiają frezowanie półkrytego połączenia na jaskółczy ogon o wymiarach 12,7 mm (1/2") za pomocą frezarki górnowrzecionowej z zamocowanym frezem do połączeń na jaskółczy ogon i pierścieniem kopiującym.

Korzystając z dodatkowych szablonów (dostarczanych osobno), możesz frezować:

- 6,35mm (1/4") półkryte połączenie na jaskółczy ogon
- 8mm (5/16") połączenie na czop
- 12,7mm (1/2") połączenie na czop
- 12,7mm (1/2") otwarte połączenie na jaskółczy ogon
- 19mm (3/4") otwarte połączenie na jaskółczy ogon
- 32mm połączenie kołkowe



### Standardowe wyposażenie:

Wielkość połączenia:

Maks.szerokość połączenia:

Grubość elementu:

Średnica pierścienia kopiującego:

Waga:

Maks.średnica podstawy frezarki:

### FD300

półkryte połączenie na jaskółczy ogon

305mm (12")

Grubość elementu:

Średnica pierścienia kopiującego:

Waga:

Maks.średnica podstawy frezarki:

### FD600

12,7mm (1/2")

610mm (24")

Grubość elementu:

Średnica pierścienia kopiującego:

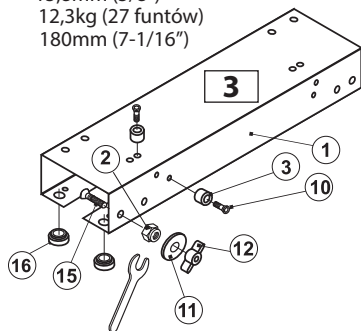
Waga:

Maks.średnica podstawy frezarki:

### MONTAŻ URZĄDZENIA

#### Rysunek 3

Za pomocą klucza imbusowego 4 (FD300) lub klucza imbusowego 5 w przypadku (FD600) do korpusu urządzenia wkręć #1 śrubę #15, którą potem ostrożnie dokręć. Po drugiej stronie urządzenia na śrubę nałóż nakrętkę oporową # 2. Następnie na śrubę nasadź podkładkę # 11 i przykręć nakrętkę regulacyjną # 12. Tą samą procedurę powtórz również po drugiej stronie urządzenia.

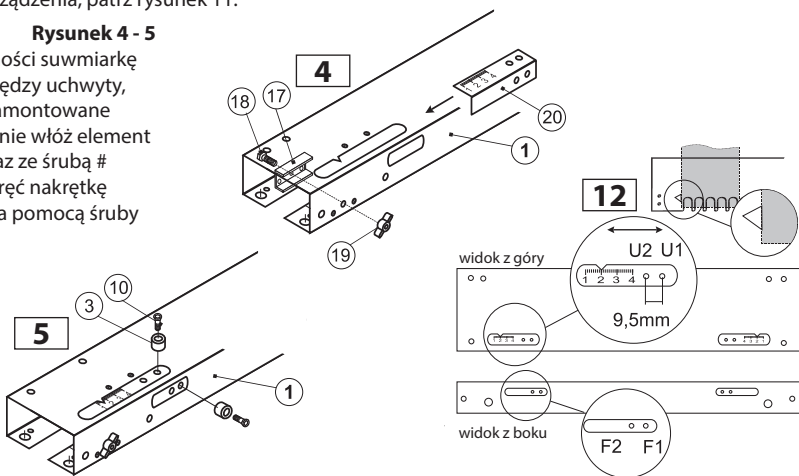


#### Tylko dla FD300

Za pomocą śruby #10 przykręć do korpusu # 1 ograniczniki # 3. Ustaw na górnej stronie urządzenia ograniczniki w pozycjach U1, a F1 na przedniej części urządzenia, patrz rysunek 11.

#### Tylko dla FD600 Rysunek 4 - 5

W pierwszej kolejności suwmiarkę # 20 przesunij pomiędzy uchwyty, które zostały już zamontowane fabrycznie. Następnie włoż element zaciskowy # 17 wraz ze śrubą # 18 i delikatnie dokręć nakrętkę regulacyjną # 19. Za pomocą śruby #10 przykręć ograniczniki # 3 do pozycji U1 i F1, jak pokazano na rysunku 12. Dokręć śruby ograniczników.



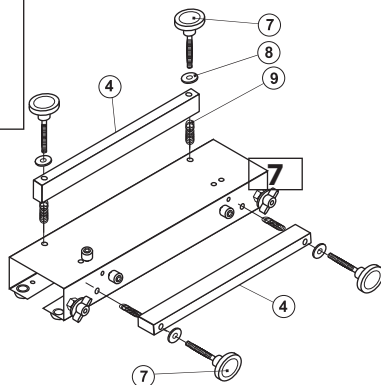
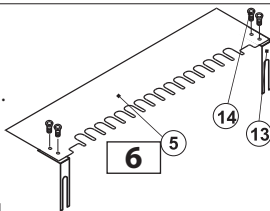
Do odpowiednich otworów włóż gumowe nogi # 16.

### Rysunek 6

Za pomocą śrub # 14 przykręć uchwyty szablonu # 13 do szablonu # 5.

### Rysunek 7

Za pomocą śrub regulacyjnych # 7, sprężyn # 9 oraz podkładek # 8 zamocuj górne oraz przednie dociski # 4.

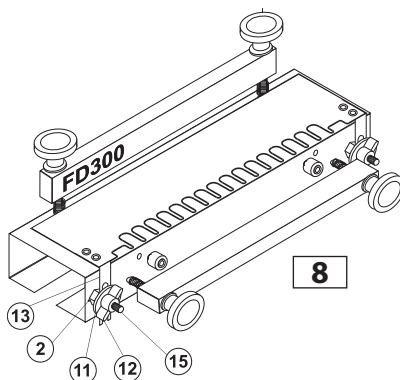


### Tylko dla FD600

Wraz z urządzeniem FD600 dostarczana jest również trzecia centrująca śruba regulacyjna dla docisków. Można ją zamontować tylko w przypadku jeśli szerokość elementu nie przekracza 305 mm (12").

### Rysunek 8

Zmontowany szablon umieść na urządzeniu. Włóż uchwyty szablonu # 13 na śruby # 15 między nakrętkę oporową # 2 oraz podkładkę # 11. Uchwyty na obu końcach dokręć za pomocą nakrętek # 12



### System ograniczników FD300

Ograniczniki służą do odpowiedniego ustawienia elementów względem siebie oraz względem szablonu. Ograniczniki w przypadku FD300 są mocno przykręcone do korpusu urządzenia, dzięki czemu dokładnie określają pozycję czopów lub połączeń na jaskółczy ogon od krawędzi elementu. Aby uzyskać wyśrodkowane połączenie, należy w zależności od rodzaju połączenia przestrzegać zalecanych szerokości elementu, patrz poniżej. Oś przesunięcia bocznej krawędzi elementu od pierwszego rowka szablonu będzie nazywana boczną osią pozycji połączenia.

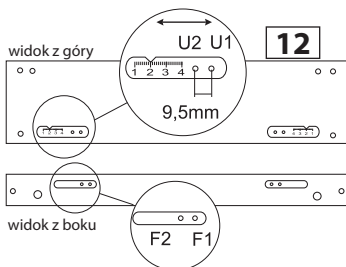
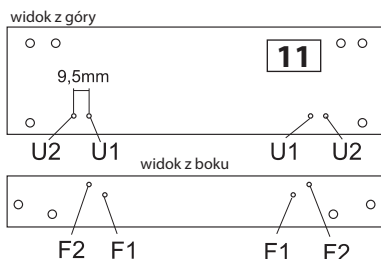
### Rysunek 11

Ograniczniki służą do odpowiedniego ustawienia elementów względem siebie oraz względem szablonu. Ograniczniki w przypadku FD300 są mocno przykręcone do korpusu urządzenia, dzięki czemu dokładnie określają pozycję czopów lub połączeń na jaskółczy ogon od krawędzi elementu. Aby uzyskać wyśrodkowane połączenie, należy w zależności od rodzaju połączenia przestrzegać zalecanych szerokości elementu, patrz poniżej. Oś przesunięcia bocznej krawędzi elementu od pierwszego rowka szablonu będzie nazywana boczną osią pozycji połączenia.

Odstęp między U1 a U2 wynosi 9,5 mm (3/8"). Dotyczy to czoła szuflad z osadzeniem.

### FD600 Rysunek 12

FD600 posiada ruchome – regulowane ograniczniki, które umożliwiają wycentrowanie złącza na danym elemencie. Przesuwany system ograniczników wyposażony jest w skalę, która natomiast umożliwia precyzyjne ustawienie pozycji złącza



na elemencie przy symetrycznych połączeniach.

1 / Poluzuj nakrętkę regulacyjną przesuwne systemu ograniczników. Przesuń ograniczniki od środka urządzenia na zewnątrz.

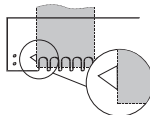
2 / Wsuń element pod górny docisk.

3 / Umieść szablon i dokręć go za pomocą nakrętek regulacyjnych.

4 / Poruszaj elementem tak, aby jego krawędź była równoległa do krawędzi wskaźnika znajdującego się na szablonie – tylko w przypadku półkrytych połączeń na jaskółczy ogon, otwartych połączeń na jaskółczy ogon oraz połączeń kołkowych. W przypadku połączeń na czopy należy przestrzegać wskazówek opisanych w rozdziale.

5 / Dokręć górny docisk. Przesuń ograniczniki w kierunku krawędzi elementu, tak aby dotykały elementu, a następnie zabezpiecz je za pomocą nakrętki regulacyjnej.

6 / To samo wykonaj na drugiej stronie.



**OSTRZEŻENIE:** Aby uzyskać idealnie symetryczne połączenie zalecamy, aby najpierw, na niepotrzebnym materiale przetestować ustawienie.

### Ustawienie szablonu Rysunki 13 – 14

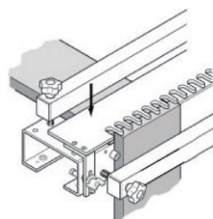
1 / Poluzuj nakrętkę regulacyjną # 12.

2 / W celu uzyskania głębszego złącza należy obrócić nakrętkę # 2 w kierunku urządzenia, natomiast, aby uzyskać płytsze połączenie nakrętkę należy obrócić w przeciwnym kierunku.

3 / Zakończ proces obracania jak tylko osiągniesz pozycję, w której znak S znajdujący się na szablonie zachodzi na przednią krawędź elementu. Jeden obrót jest równy przesunięciu o 1 mm.

4 / Za pomocą nakrętki regulacyjnej dokręć uchwyt szablonu.

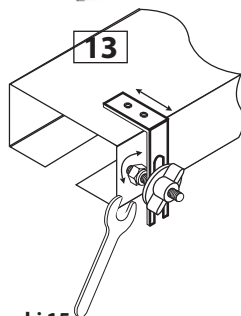
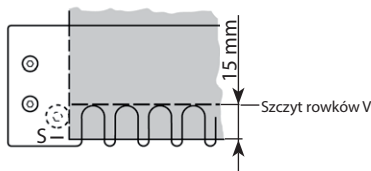
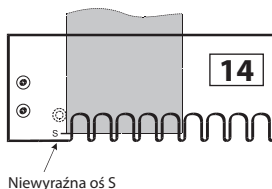
5 / Zawsze upewnij się, że szablon znajduje się w równoległej pozycji w stosunku do krawędzi korpusu urządzenia.



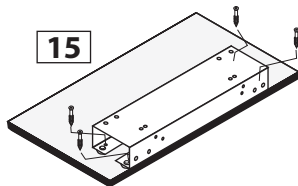
### Linia S (wymagowana oś S równoległa do krawędzi szablonu) Obrzązek 14

FD300 - szablon ma wygrawerowaną linię S.

FD600 - narysuj linię S na szablonie w odległości 15 mm od szczytu rowków V.



15



### Mocowanie do stołu roboczego lub do płyty Rysunki 15

Za pomocą dołączonych śrub przymocuj urządzenie do blatu lub do stołu roboczego.

### Wyrównanie elementów Rysunki 16

Obrabiane elementy muszą być zawsze względem siebie idealnie wyrównane. Element znajdujący się na górnej powierzchni urządzenia powinien przylegać do przedniego elementu oraz do aktualnie używanego ogranicznika na górnej stronie. Przednia część elementu musi zarówno dotykać górnej krawędzi górnego elementu oraz przylegać do ogranicznika na przedniej stronie.

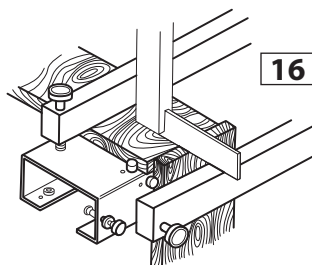
Dociski mocujące, śruby regulacyjne i nakrętki

Nie dokręcaj za mocno śrub regulacyjnych oraz nakrętek. Docisk należy przycisnąć równoległe do korpusu

urządzenia. Jeśli pracujesz z jednej strony, najpierw poluzuj śrubę regulacyjną znajdującą się po drugiej stronie.

#### Tylko dla FD600

Wraz z urządzeniem FD600 dostarczana jest również trzecia centrująca śruba regulacyjna dla docisków. Można ją zamontować tylko w przypadku jeśli szerokość elementu nie przekracza 305 mm (12„).



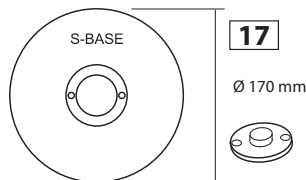
**Wraz z urządzeniem FD600 dostarczana jest również trzecia centrująca śruba regulacyjna dla docisków. Można ją zamontować tylko w przypadku jeśli szerokość elementu nie przekracza 305 mm (12„).**

**Wszystkie podane wartości ustawienia głębokości frezów są tylko przykładowe. Przed rozpoczęciem pracy zalecamy najpierw na niepotrzebnym materiale przetestować cięcie.**

#### Ustawienie frezarki górnwrzecionowej

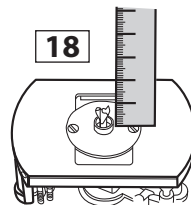
##### Rysunki 17

Pierścienie kopiujące dostarczane są w podstawowym wyposażeniu urządzenia i mogą być bezpośrednio montowane do wybranych typów frezarek górnwrzecionowych, takich jak DeWalt, Elu oraz wielu innych. W przypadku innych modeli należy zastosować płytę redukcyjną S-BASE, która dostarczana jest jako akcesorium dodatkowe do pierścieni kopiujących. Płyta redukcyjna umożliwi montaż IGM pierścieni kopiujących na wszystkich typach frezarek górnwrzecionowych dostępnych na rynku.



**S-BASE pozwala na dokładne wycentrowanie między frezem trzpieniowym a pierścieniem kopiującym, a co za tym idzie umożliwi wytworzenie bardziej precyzyjnego połączenia. W przypadku gdy pierścienie kopiujące nie może być bezpośrednio zamontowany do frezarki górnwrzecionowej zalecamy zastosować płytę redukcyjną.**

- 1) Przed dokonaniem jakiegokolwiek regulacji lub przed wymianą narzędzi zawsze należy odłączyć frezarkę z gniazdka elektrycznego.
- 2) Włóż pierścień kopiujący do frezarki. Średnica pierścienia różni się w zależności od rodzaju złącza. Zobacz tabelę, która znajduje się w odpowiedniej sekcji instrukcji obsługi.
- 3) Przesunąć frez w kierunku dolnego ogranicznika, tak aby tuleja zaciskowa niemalże dotykała pierścienia kopiującego.
- 4) Włóż frez trzpieniowy do tulei zaciskowej frezarki, a następnie go dokręć.
- 5) Na frezarce ustaw głębokość roboczą frezu trzpieniowego, jak przedstawiono na rysunku 18, zgodnie z tabelą dla odpowiedniego rodzaju połączenia.



#### SZABLON DLA 12,7mm (1/2“) PÓLKRYTEGO POŁĄCZENIA NA JASKÓŁCZY OGON

##### Rysunki 19-26

Zastosowanie standardowego szablonu. Oba elementy są frezowane jednocześnie.

Opis połączenia	informacje o ogranicznikach			Ø Pierścienia kopiującego	Pierścienia kopiującego	Głębokość cięcia
	Średnica	Kolor	Pozycja			
12,7mm (1/2“) Półkryte połączenie na jaskółczy ogon FD300 & 600	Ø 10mm	srebrny	U1	15,8mm 5/8“	Ø 1/2“ x 1/2“ Ø 12,7 x 12,7mm x 14°	13,5mm 17/32“
	Ø 10mm	srebrny	F1			

### Przygotowanie materiału

Przed rozpoczęciem frezowania bardzo istotne jest wcześniejsze przygotowanie i zaplanowanie pracy. Za pomocą FD300 & 600 można jednocześnie wytworzyć obie strony połączenia na jaskółczy ogon.

Zawsze należy zaznaczać poszczególne elementy szuflady, tak jak to pokazano na rysunku 19PRZEDNIA / TYLNA / PRAWY / LEWY .

DNO\_ SPODNIA CZĘŚĆ

X1\_LEWY ELEMENT

Y1\_PRZEDNI ELEMENT

X2\_PRAWY ELEMENT

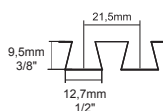
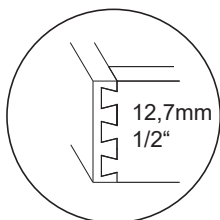
Y2\_PRZEDNI ELEMENT

X3\_PRAWY ELEMENT

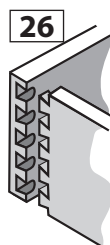
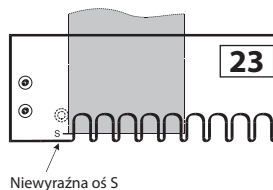
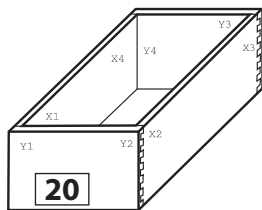
Y3\_TYLNY ELEMENT

X4\_LEWY ELEMENT

Y4\_TYLNY ELEMENT



Elementy X należy włożyć pod przedni ogranicznik natomiast elementy Y pod górny ogranicznik. Liczby parzyste elementów dotyczą ograniczników znajdujących się po lewej stronie, a liczby nieparzyste elementów ograniczników po prawej stronie.



### Ostrzeżenie:

Wymiary podane w niniejszej instrukcji nie pozwalają na tolerancję w przypadku wytwarzania pierścieni kopiujących, szablonów i frezów. Dlatego podane wymiary traktuj jako naprowadzenie i zawsze przed rozpoczęciem wytwarzania własnego produktu przetestuj jego wytwarzanie.

### Szerokość elementu

W przypadku szablonu 12,7 mm (1/2") do półkrytego połączenia na jaskółczy ogon może być wykorzystana jakakolwiek szerokość elementu od 21,5 mm (7/8") do 305 mm (12,") dla FD300 oraz od 21,5 mm (7/8") do 610 mm (24,") dla FD600. Aby wybrać idealną szerokość elementu symetrycznego połączenia skorzystaj z poniższej tabeli.

#Ilość połączeń na jaskółczy ogon:		1	2	3	4	5	6	7	8
Idealna szerokość	mm	21,5	43	64,5	86	107,5	129	150,5	172
	inch	7/8"	1-11/16"	2-1/2"	3-3/8"	4-1/4"	5-1/6"	5-15/16"	6-3/4"

### Ustawienie

- Zgodnie z tabelą przykręć ograniczniki do odpowiedniej pozycji.
- Element X włóż pod przedni czołowy docisk tak, aby wystawał ponad krawędź przyrządu. Naciśnij lekko na docisk.
- Element Y włóż pod górny docisk.
- Wbij element Y do bocznego ogranicznika oraz do elementu X. Dokręć górny docisk.
- Przesuń element X tak, aby nie wystawał ponad element Y, a jednocześnie opierał się o ogranicznik.
- Za pomocą przedniego docisku zamocuj element Y.
- Umieść szablon na urządzeniu tak, aby wycięcia kopiujące znajdowały się w Twoim kierunku.
- Ustaw szablon tak, aby znak S zachodził na przednią krawędź elementu znajdującego się pod górnym dociskiem. Jeden obrót nakrętki ograniczającej równa się przesunięciu szablonu o 1 mm. (wykonuje się po obu stronach urządzenia)
- Za pomocą nakrętek regulacyjnych przymocuj szablon.
- Zgodnie z tabelą włóż pierścień kopiujący do podstawy frezarki górnoprzecionowej.
- Frez do połączeń na jaskółczy ogon zamocuj zgodnie z tabelą do frezarki górnoprzecionowej.
- Głębokość frezowania ustaw według tabeli.

**Uwaga:** Zalecana głębokość frezowania jest tylko orientacyjna. W celu uzyskania idealnej głębokości frezowania najpierw należy przeprowadzić testowe cięcia na niepotrzebnym kawałku materiału.

### Ostrzeżenie!

- Upewnij się, że oba elementy są bezpiecznie przymocowane i dotykają ograniczników.
- Zawsze mocuj tylko jeden komplet elementów. Upewnij się, że frez trzpieniowy nie dotyka uchwytów szablonu przed i podczas frezowania złącza.
- Aby zapobiec zniszczeniu gwintu nie dokręcaj nakrętki regulacyjnej z nadmierną siłą.
- Zwiększając lub zmieniając głębokość cięcia, połączenie będzie ciaśniejsze lub luźniejsze.

### Frezowanie

- Umieść frezarkę na szablonie, tak aby frez nie dotykał elementu.
- Włącz frezarkę, a następnie wykonaj jedno płytkie cięcie od lewej do prawej strony. Frezuj tylko przednią krawędź. Dzięki temu wyeliminowane zostanie ryzyko utworzenia się zadziórów na krawędzi obrabianego elementu.
- Teraz ostrożnie frezuj od lewej do prawej strony, a pierścieniem kopij wycięcia szablonu.
- Wyłącz frezarkę górnoprzecionową i odłóż ją z daleka od urządzenia.
- Upewnij się, że u wszystkich nacięć zostały dokładnie wyfrezowane połączenia na jaskółczy ogon. Jeśli okaże się, że jeszcze gdzieś pozostało trochę materiału, wyfrezuj ponownie ale bez dokonywania jakichkolwiek zmian na szablonie !!!
- Usuń elementy z urządzenia.
- Przetestuj elementy.

**OSTRZEŻENIE!** Nie uos frezarki gónowrzecionowej nad szablonem poniewa¿ mo¿e doj¿ do uszkodzenia zarówno szablonu jak i frezu trzpieniowego.

**Je¿li z¿acze nie jest idealne:**

**Z¿acze jest poluzowane - zwi¿ksz g¿eboko¿ ci¿cia frezu trzpieniowego.**

**Z¿acze jest zbyt ciasne - zmniejsz g¿eboko¿ci ci¿cia frezu trzpieniowego.**

**Z¿acze jest p¿ytkie - przesun¿ szablon w kierunku ur¿adzenia.**

**Z¿acze jest g¿ebokie- odsun¿ szablon od ur¿adzenia.**

**SZABLON DO 12,7mm (1/2") PÓLKRYTEGO POŁĄCZENIA NA JASKÓŁCZY OGON Z OSADZENIEM**

Rysunki 27-30

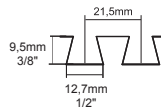
Przy u¿yciu standardowego szablonu. Ka¿dy element jest frezowany oddzielnie.

**Uwaga:** W wi¿kszo¿ci przypadków pólkryte połącznie na jaskółczy ogon jest stosowane tylko na czołach szuflad. Je¿li chcesz połączy¿ boczne cz¿e¿i szuflady ze standardowym tylnym pólkrytym połączeniem na jaskółczy ogon najpierw dokładnie przeczytaj wskazówki z poprzedniej cz¿e¿i niniejszej instrukcji.

Opis połączenia	Informacje o ogranicznikach			Ø Pierścienia kopiującego	Frez trzpieniowy	Głębokość cięcia
	Średnica	Kolor	Pozycja			
<b>12,7mm (1/2") półkryte połączenie na jaskółczy ogon FD300 &amp; 600</b>	Ø 10mm	srebrny	U2	15,8mm 5/8"	Ø 1/2" x 1/2" Ø 12,7 x 12,7mm x 14°	13,5mm 17/32"
	Ø 10mm	srebrny	F1			

#### Ustawienie ur¿adzenia

Ograniczniki przykr¿ zgodnie z tabel¿ do odpowiedniej pozycji.



#### Przygotowanie czołowej cz¿e¿i szuflady z osadzeniem

- Przygotuj element dłu¿szy i szerszy o 19 mm (3/4"). **Rysunek 28.**

- Frezuj półtrowek o szeroko¿ci 9,5 mm (3/8") i g¿eboko¿ci 11,1 mm (7/16") wzdłu¿ całego obwodu obrabianego elementu. **Rys. 27 i 28.**

- Włó¿ podporny element o grubo¿ci 9,5 mm (3/8") pod przedni docisk i doci¿nij go do ogranicznika.

- Dokr¿ przedni docisk.

- Element z osadzeniem włó¿ pod górný docisk i wyrównaj go tak, aby nie wystawał nad kraw¿dzi¿ elementu znajduj¿cego si¿ pod przednim dociskiem oraz aby był doci¿ni¿ty do ogranicznika. **Rysunek 29.**

- Dokr¿ górný docisk.

- Z przedniego docisku mo¿esz ju¿ usun¿ element podpieraj¿cy.

- Kopiuj¿cymi wyci¿ciami w kierunku do siebie umie¿ szablon na ur¿adzenie.

- Szablon ustaw tak, aby znak S znajduj¿cy si¿ na szablonie zachodził na przedni¿ kraw¿dzi¿ osadzenia elementu znajduj¿cego si¿ pod górnym dociskiem. Jeden obrót nakr¿tki oporowej równa si¿ przesuni¿ciu szablonu o 1 mm. (wykonuje si¿ po obu stronach ur¿adzenia)

- Przymocuj szablon za pomoc¿ nakr¿tek regulacyjnych.

- Zgodnie z tabel¿ włó¿ pier¿cien kopiuj¿cy do podstawy frezarki gónowrzecionowej.

- Frez do połączy na jaskółczy ogon zamocuj zgodnie z tabel¿ do frezarki gónowrzecionowej.

- Ustaw wedłu¿ tabeli g¿eboko¿ frezowania.

**Uwaga:** Zalecana g¿eboko¿ frezowania jest tylko orientacyjna. W celu uzyskania idealnej g¿eboko¿ci frezowania najpierw nale¿y przeprowadzi¿ testowe ci¿cie na niepotrzebnym kawałku materiału.

#### Frezowanie

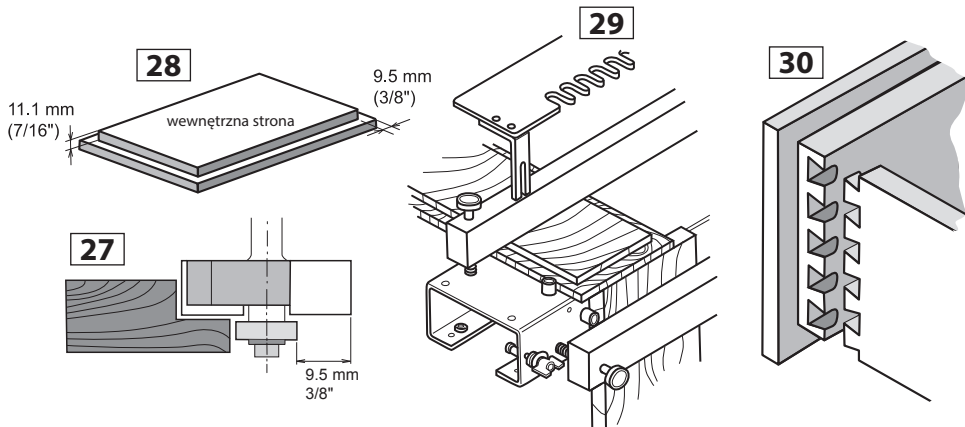
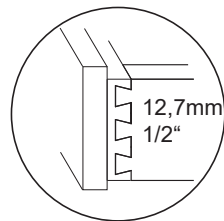
- Umie¿ frezark¿ na szablonie, tak aby frez nie dotykał elementu.

- Wł¿cz frezark¿, a nast¿pnie wykonaj jedno p¿ytkie ci¿cie od lewej do prawej strony. Frezuj tylko przedni¿



krawędź. Dzięki temu wyeliminowane zostanie ryzyko utworzenia się zadziorów na krawędzi obrabianego elementu.

- Teraz ostrożnie frezuj od lewej do prawej strony, a pierścieniem kopiuj wycięcia szablonu.
- Wyłącz frezarkę górnoprzecionową i odłóż ją z daleka od urządzenia.
- Upewnij się, że u wszystkich nacięć zostały dokładnie wyfrezowane połączenia na jaskółczy ogon. Jeśli okaże się, że jeszcze gdzieś pozostało trochę materiału, wyfrezuj ponownie ale bez dokonywania jakichkolwiek zmian na szablonie !!!
- Usuń elementy z urządzenia.
- Przetestuj elementy.



### Boczny element szuflady

- Włóż element pomocniczy o grubości 13 mm, który powinien posiadać taką samą szerokość co boczny element znajdujący się pod górnym dociskiem.
- Boczny element wsadź pod przedni docisk. Oba elementy dopasują do ogranicznika końcowego, za pomocą kątnierza sprawdź jeśli elementy są odpowiednio wyrównane.
- Za pomocą docisków zamocuj oba elementy.
- Szablon z rowkami umieść na urządzeniu i zamocuj go za pomocą nakrętek regulacyjnych.

### Frezowanie

- Umieść frezarkę na szablonie, tak aby frez nie dotykał elementu.
- Włącz frezarkę, a następnie wykonaj jedno płytkie cięcie od lewej do prawej strony. Frezuj tylko przednią krawędź. Dzięki temu wyeliminowane zostanie ryzyko utworzenia się zadziorów na krawędzi obrabianego elementu.
- Teraz ostrożnie frezuj od lewej do prawej strony, a pierścieniem kopiuj wycięcia szablonu.
- Wyłącz frezarkę górnoprzecionową i odłóż ją z daleka od urządzenia.
- Upewnij się, że u wszystkich nacięć zostały dokładnie wyfrezowane połączenia na jaskółczy ogon. Jeśli okaże się, że jeszcze gdzieś pozostało trochę materiału, wyfrezuj ponownie ale bez dokonywania jakichkolwiek zmian na szablonie !!!
- Usuń elementy z urządzenia.
- Przetestuj elementy.

### Jeśli złącze nie jest idealne:

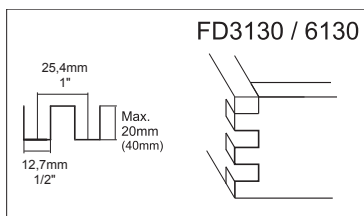
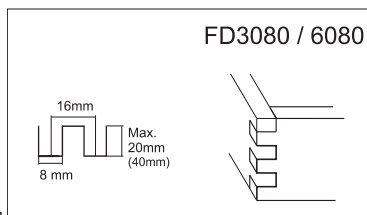
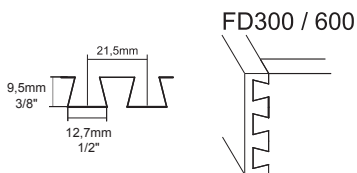
- Złącze jest poluzowane - zwiększ głębokość cięcia frezu trzpieniowego.**
- Złącze jest zbyt ciasne - zmniejsz głębokości cięcia frezu trzpieniowego.**
- Złącze jest płytkie - przesun szablon w kierunku urządzenia.**
- Złącze jest głębokie - odsuń szablon od urządzenia**

## BEZPIECZEŃSTWO

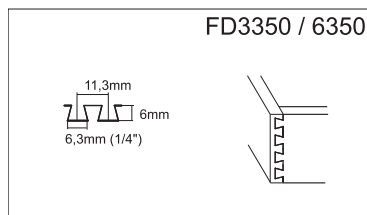
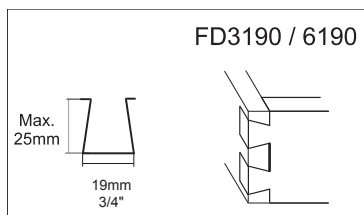
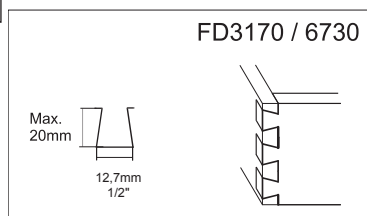
- Podczas wymiany frezu trzpieniowego lub podczas jakiegokolwiek ustawiania zawsze należy wyłączyć frezarkę i odłączyć ją od źródła zasilania.
- Podczas frezowania używaj okularów ochronnych.
- Używaj ochraniaczy słuchu.
- Zawsze używaj maski przeciwpyłowej lub respiratora.
- Używaj urządzeń odciągowych.
- Nie noś luźnej odzieży. Upewnij się, że masz wywinięte rękawy, nie wolno pracować w krawacie.
- Przed włączeniem frezarki usuń z obszaru roboczego wszystkie narzędzia, nakrętki, klucze i inne przedmioty.
- Zapobiegaj przypadkowemu włączeniu frezarki. Przed włożeniem wtyczki do gniazdka i przed podłączeniem jej do źródła zasilania upewnij się, że przełącznik nie znajduje się w pozycji „włączony”.
- Zanim przystąpisz do wykonywania jakiegokolwiek regulacji lub wymiany urządzenia, zaczekaj, aż frezarka całkowicie się zatrzyma.

FD300 & 600 LISTA CZĘŚCI ZAMIENNYCH			v.5 od 2011
Pos. #	Opis	ilość	Kod do zamówienia
1	Korpus FD300	1	
	Korpus FD600	1	
2	Nastawcza nakrętka uchwytu szablonu FD300 i FD600	2	
3	Ogranicznik	4	FD3001-03
4	Docisk FD300	2	FD3001-95
	Docisk FD600	2	FD6001-95
5	Szablon 12,7mm półkryte połączenie na jaskółczy ogon FD300	1	FD300-07
	Szablon 12,7mm półkryte połączenie na jaskółczy ogon FD600	1	FD600-07
7	Śruba regulacyjna M8x90 FD300 i FD600	4	FS100119
8	Podkładka 8 FD300 i FD600	4	FS101004
9	Sprężyna FD300 i FD600	4	FD6001-11
10	Śruba M4 x 16	4	FS200126
11	Podkładka 6 FD300 i FD600	2	
12	Nakrętka regulacyjna M6 FD300 i FD600	2	FS100106
13	Uchwyt szablonu FD300 i FD600	2	FD6001-22
14	Śruba M4 x 8	4	FS200128
15	Śruba M6 FD300 i FD600	2	
16	Gumowa noga	4	FS990002
17	Przesuwny mocujący U-profil FD600	2	FD6001-17
18	Śruba M6 FD600	2	FS200112
19	Nakrętka regulacyjna M6 FD600	2	FS100106
20	Przesuwna podstawa ze skalą prawa FD600	1	FD6001-08A
	Przesuwna podstawa ze skalą lewa FD600	1	FD6001-08B
21	Kopirovací kroužek D15,8mm x 4mm	1	FGB158-04
22	Šroub M5 x 8	2	FS200143
23	Imbus klíč 2,5	1	F099-06200
24	Imbus klíč 4 FD300	1	FS800005
68	Klíč 10 pro FD300	1	FS800008
61	Opěrná podložka horní 2 x M4 FD600	2	FD6001-15

62	Opěrná podložka horní FD600	2	FD6001-16
63	Opěrná podložka 2 x M4 FD600	2	FD6001-18
64	Distanční podložka 0,2mm FD600	4	FS101013
65	Šroub M4 x 12 FD600	4	
66	Šroub M4 x 25 FD600	4	



**31**





IGM nástroje a stroje s.r.o., Ke Kopanině 560,  
Tuchoměřice, 252 67, Czech Republic, E.U.  
**+420 220 950 910, [www.igm.cz](http://www.igm.cz)**