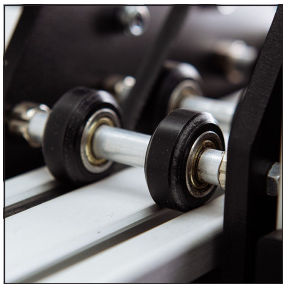
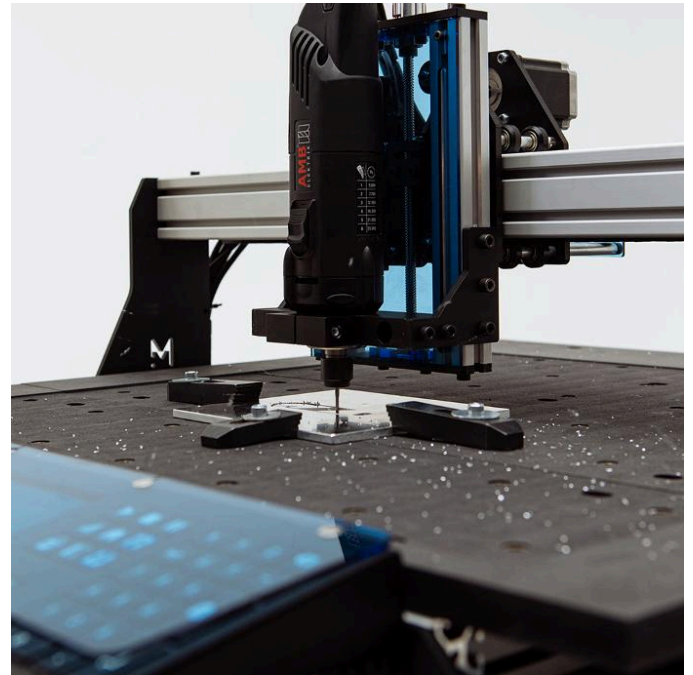


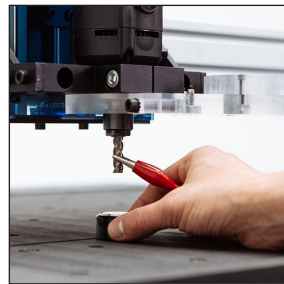
MEKANIKA

EVO - The best machine to discover the world of CNC

With EVO, you get a versatile CNC milling machine that will let you explore different materials. It is fast and easy to use, making it the perfect choice for hobbyists and occasional professional use who have time to explore, and want to mill a few hours a week. And when you're ready for more, EVO can evolve alongside your skills and business.



V-slot wheels & steel reinforced PU GT2 belts



Up to 1030 x 1030mm working area to mill wood, aluminum, plastic and fiberboards



Onboarded computer and intuitive interface, with a touch screen and numerical pad



5-year warranty & dedicated tech support



I have been using the Mekanika EVO M CNC for one year now, was a total neophyte in this field. I build for my Aeromodelist hobby large gliders and I quickly milled beautiful parts on wood, plastic, carbon plate, epoxy plate...

The machine works very well, I am totally satisfied."

Hervé Gabert

Aeromodelist

What you get with every Mekanika machine

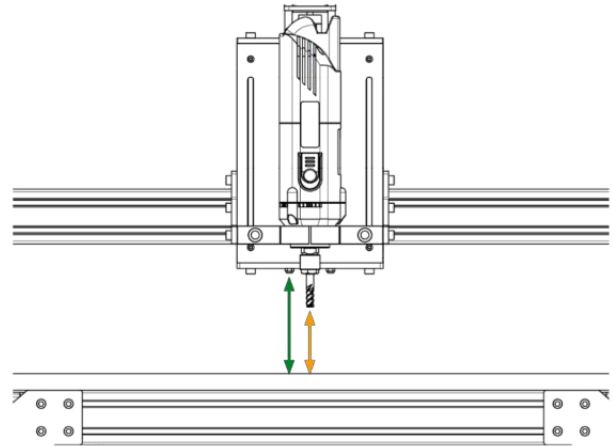
- **Reliability:** easy to use, high-quality machines you can rely on.
- **Control:** open-source plans for easy customization and repair.
- **Modularity:** bring in your machine through the front door of your workshop.
- **Tutorials:** learn from our CNC video tutorials to get your projects to the next level.
- **Tech support:** our team of experts is located in Belgium and will answer your questions within a business day.

EVO technical specifications



Size & Performance

Work surface (3 sizes available)	S: 630x630 mm M: 630x1030 mm L: 1030x1030 mm
Z-clearance height	Up to 110mm
Max travel speed	20,000 mm/min
Precision	Up to 0.1 mm
Spindle	<ul style="list-style-type: none"> 1050W - AMB collets - Manual ON/OFF 1400W DI - ER16 collets - Automatic



- **110 mm** > Maximum distance available between the spoilerboard and the spindle.
- **50 mm** > Maximum stock thickness that can be entirely cut on the CNC Evo.

Note: the spoilerboard shown in this drawing is the standard Mekanika kit, using 18mm MDF boards.

Electrical

Connectivity	WiFi & Ethernet Bluetooth
Interface	- 7" TFT IPS capacitive touchscreen - Custom Bluetooth keypad
Power consumption	1x 230VAC (max. power: 200W without spindle)

Looking to add an EVO to your workshop?

From **2223€** excl. taxes

