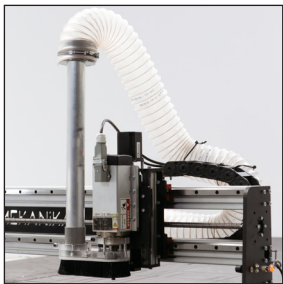


# MEKANIKA

## FAB CNC Milling - Bundle

Speed up your production with accessible CNC panel milling

Transform your workshop with the versatility and speed of our FAB CNC milling machine. Capable of handling any panel-shaped material, this machine boasts cutting speeds of up to 10,000mm/min, making it the ideal solution for fast and efficient production. Its user-friendly design and reliable performance make it a must-have for any workshop looking to quickly produce furniture, stairs, surfboards, signs, and more.



Powerful dust collection system



1300x2700mm working area to mill wood, aluminum, plastic and fiberboards



13.3" capacitive touchscreen & wireless custom keypad



5-year warranty & dedicated tech support



*In the past, we were outsourcing a lot of our production, so bringing new products on the market was a very long and expensive process. The FAB CNC machine allows us to speed up that process, we can test new experiments every day but also save a lot of money! It is also a lot less stressful than having to deal with subcontractors (unforeseen delays, machining errors).*

*By internalizing our prototyping and our production, the machine paid itself back in less than a year."*

### BILMO

Cargo Bike Furniture

## What you get with every Mekanika machine

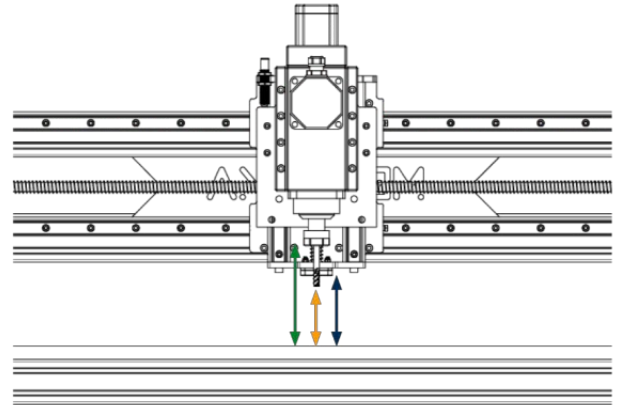
- **Reliability:** easy to use, high-quality machines you can rely on.
- **Control:** open-source plans for easy customization and repair.
- **Modularity:** bring in your machine through the front door of your workshop.
- **Tutorials:** learn from our CNC video tutorials to get your projects to the next level.
- **Tech support:** our team of experts is located in Belgium and will answer your questions within a business day.

# FAB series technical specifications



## Size & Performance

Overall Size	1750 x 3150 x 1250 mm
Work surface	1330 x 2700 mm
Z clearance	110 mm
Max travel speed	25,000 mm/min
Precision	< 0.1 mm
Spindle	Power of 2.2 kW Air cooled Speed from 5000 to 24000 rpm ER20 collets



- **133 mm** > Maximum distance available between the spoilerboard and the spindle.
  - **65 mm** > Maximum stock thickness that can be entirely cut on the CNC Fab.
  - **92 mm** > Maximum distance available between the spoilerboard and the X-axis carriage.
- Note:** the spoilerboard shown in this drawing is the standard Mekanika kit, using 18mm MDF boards.

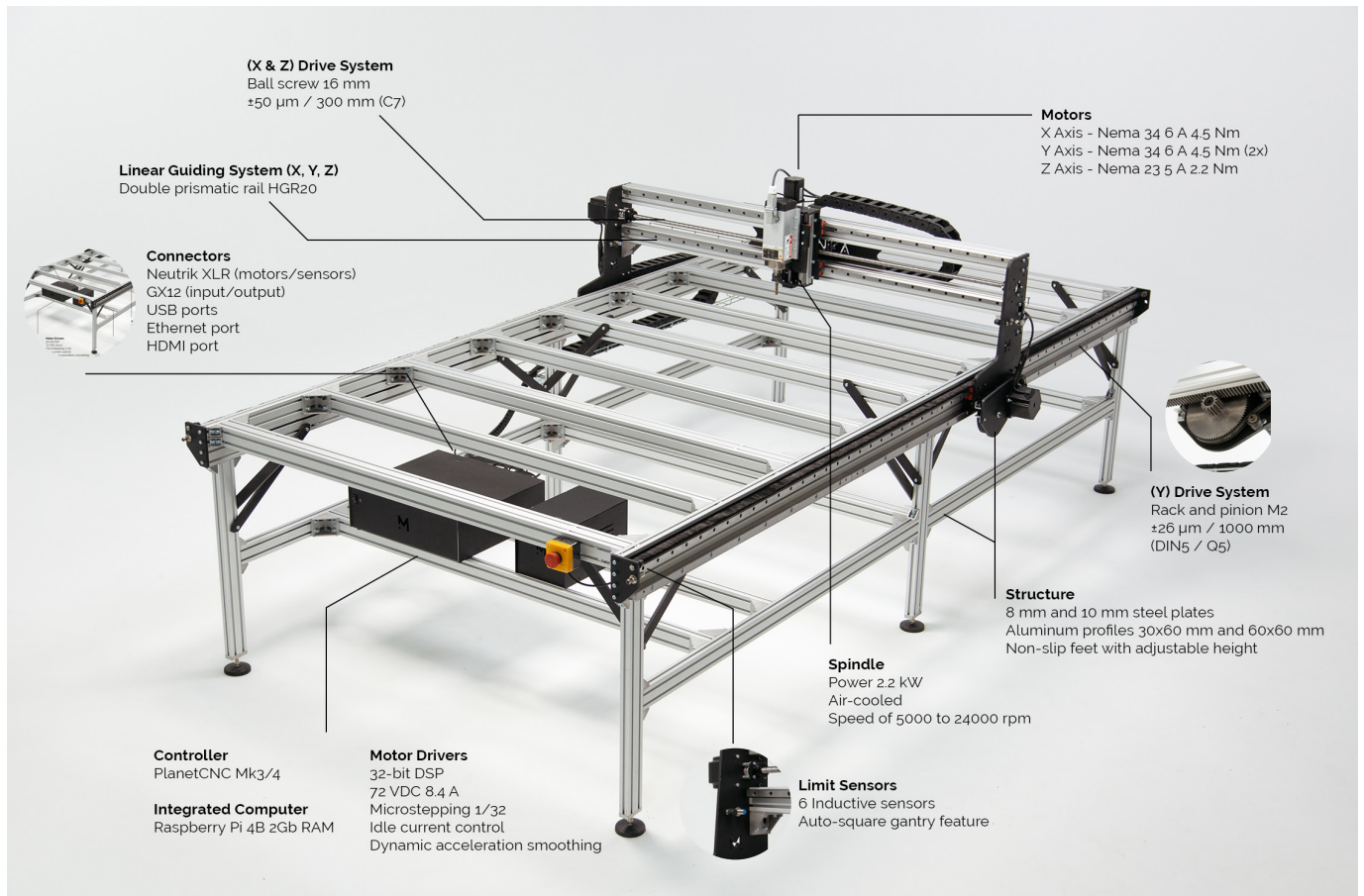
## Electrical

Connectivity	WiFi & Ethernet Bluetooth
Interface	13.3-inch TFT IPS capacitive touch screen, Customized Bluetooth keyboard
Power consumption	1x 230VAC Max power: 3.7 kW (Dust collection: + 0,55 kW)

## Full Bundle Launch Offer

Machine, spindle, interface, onboarded computer, dust collection system, spoilerboard.

**11,900 €\*** ~~13,140 €~~



\*Launch offer available for any quotation signed before 15/04/2023."