

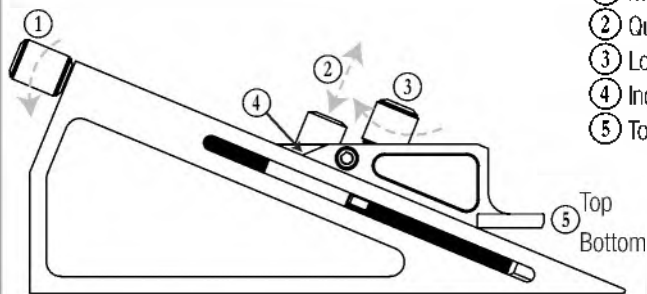
Woodpeckers®

ADJUSTABLE SETUP BLOCK

I N S T R U C T I O N S



Scan the QR code above
to watch the video
or visit woodpeck.com
under the video tab towards
the bottom of the product page.



- ① Micro-Adjust Knob
- ② Quick Adjustment Knob
- ③ Lock Knob
- ④ Indicating Point
- ⑤ Tool Setting Plate / Top & Bottom

If you think you're missing anything, email us at mailroom@woodpeck.com.
You can also call us at 800-752-0725 from 9:00 a.m. to 4:00 p.m. EST Monday - Friday.

1. Determine if you will need to use the Top or the Bottom of the Tool Setting Plate (5).

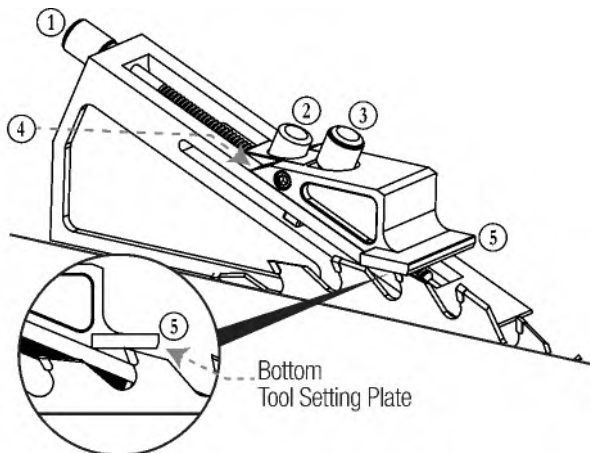
- **Bottom** is for setting table saw blade or router table bit height.
- **Top** is for setting drill press bit depths.

2. Push the Quick Adjustment Knob (2) to adjust close to your desired dimension.

3. Then turn the Micro-Adjust Knob (1) to fine adjust to your exact dimension. The Indicating Point (4) should be centered on the Laser engraved measuring mark.

4. Lock in the position with the Lock Knob (3).

NOTE: Do Not use the Micro-Adjust Knob when the Lock Knob is locked.



Woodpeckers[®]

Woodpeckers, LLC Strongsville, Ohio
woodpeck.com
© 2022 Woodpeckers, LLC



woodpeck.com

At Woodpeckers we are constantly reviewing & improving our tools. The most current version of our instruction manuals are always available to download/print! at woodpeck.com via the tool's page.

(Located in the bottom section of the tool page under the "Additional Information" or "Instructions" tabs.)



Be the first to know all the new products & sales by subscribing to our eClub.
(Located at the top center of our webpage woodpeck.com.)



Subscribe to our YouTube channel to stay up-to-date on all the latest tool tips & tricks.



Interact with us! Follow us on Facebook & Instagram!