

# Woodpeckers®

## MT CENTER GAUGE

OWNER'S MANUAL

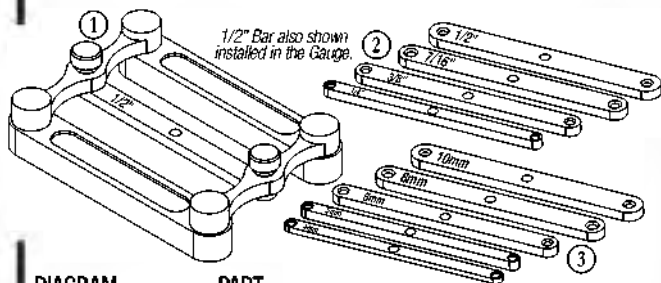


DIAGRAM  
NUMBER

PART  
NAME

- |   |  |
|---|--|
| ① | MT Center Gauge  |
| ② | Stainless Steel Marking Bar Inch (4 Bars) 1/4", 3/8", 7/16" & 1/2" |
| ③ | Stainless Steel Marking Bars Metric (5 Bars) 4, 5, 6, 8 & 10mm     |



Scan the QR code above to watch the video or visit [woodpeck.com](http://woodpeck.com) under the video tab towards the bottom of the product page.

If you think you're missing anything, email us at [mailroom@woodpeck.com](mailto:mailroom@woodpeck.com).  
You can also call us at 800-752-0725 from 9:00 a.m. to 4:00 p.m. EST Monday - Friday.

# Woodpeckers®

Woodpeckers, LLC Strongsville, Ohio

[woodpeck.com](http://woodpeck.com)

© 2023 Woodpeckers, LLC



[woodpeck.com](http://woodpeck.com)

**At Woodpeckers we are constantly reviewing & improving our tools. The most current version of our instruction manuals are always available to download at [woodpeck.com](http://woodpeck.com).**

*(Located in the bottom section of the tool's page under the "Additional Information" or "Instructions" tabs.)*



**Be the first to know all the new products, OneTIME Tools & sales by subscribing to our eClub.** *(Located at the top center of our webpage [woodpeck.com](http://woodpeck.com).)*



**Subscribe to our YouTube channel to stay up-to-date on all the latest tool tips & tricks.**



**INTERACT WITH US! Follow us on Facebook, Instagram & TikTok!**



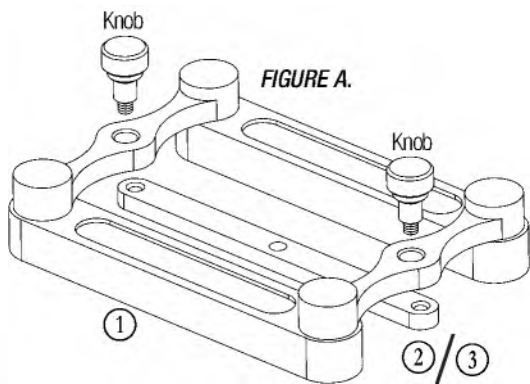
**Enjoy shop tips, project ideas, tool techniques & more in our Woodworking Resource Center/Blog.** *(Located at the bottom center of our webpage [woodpeck.com](http://woodpeck.com).)*



**WARNING!** This product can expose you to chemicals, including chromium, which is known to the State of California to cause cancer and birth defects or other reproductive harm. For more information go to [www.P65Warnings.ca.gov](http://www.P65Warnings.ca.gov)

## I. LOCATING & MARKING THE CENTERLINE OF A BOARD

Install the Stainless Steel Marking Bar ② or ③ of choice in the MT Center Gauge ① Frame with the Knobs as shown. **FIGURE A.**



All of the Stainless Steel Marking Bars have a small hole bored in their center. Simply close the MT Center Gauge on your stock, put a pencil or the tip of a scratch awl in the Center-Bore and slide the MT Center Gauge along your board. **FIGURE B.** It doesn't matter which Marking Bars you use. All of them will work exactly the same.

## II. LAYING OUT TENONS & MORTISES

The Stainless Steel Marking Bars come in 4 fractional sizes (1/4", 3/8", 7/16" & 1/2") and 5 metric sizes (4, 5, 6, 8 & 10mm). (Depending on which package you purchased, you have fractional, metric or both.)

For whatever size mortise you want to lay out, install the correct Stainless Steel Marking Bar. Position the MT Center Gauge so it slightly overlaps the start and end lines of your mortise or tenon. Close the MT Center Gauge on your stock. Now the Stainless Steel Marking Bar is precisely located at the center of your stock. Mark each side of the Stainless Steel Marking Bar with a pencil or marking knife. **FIGURE C.**

