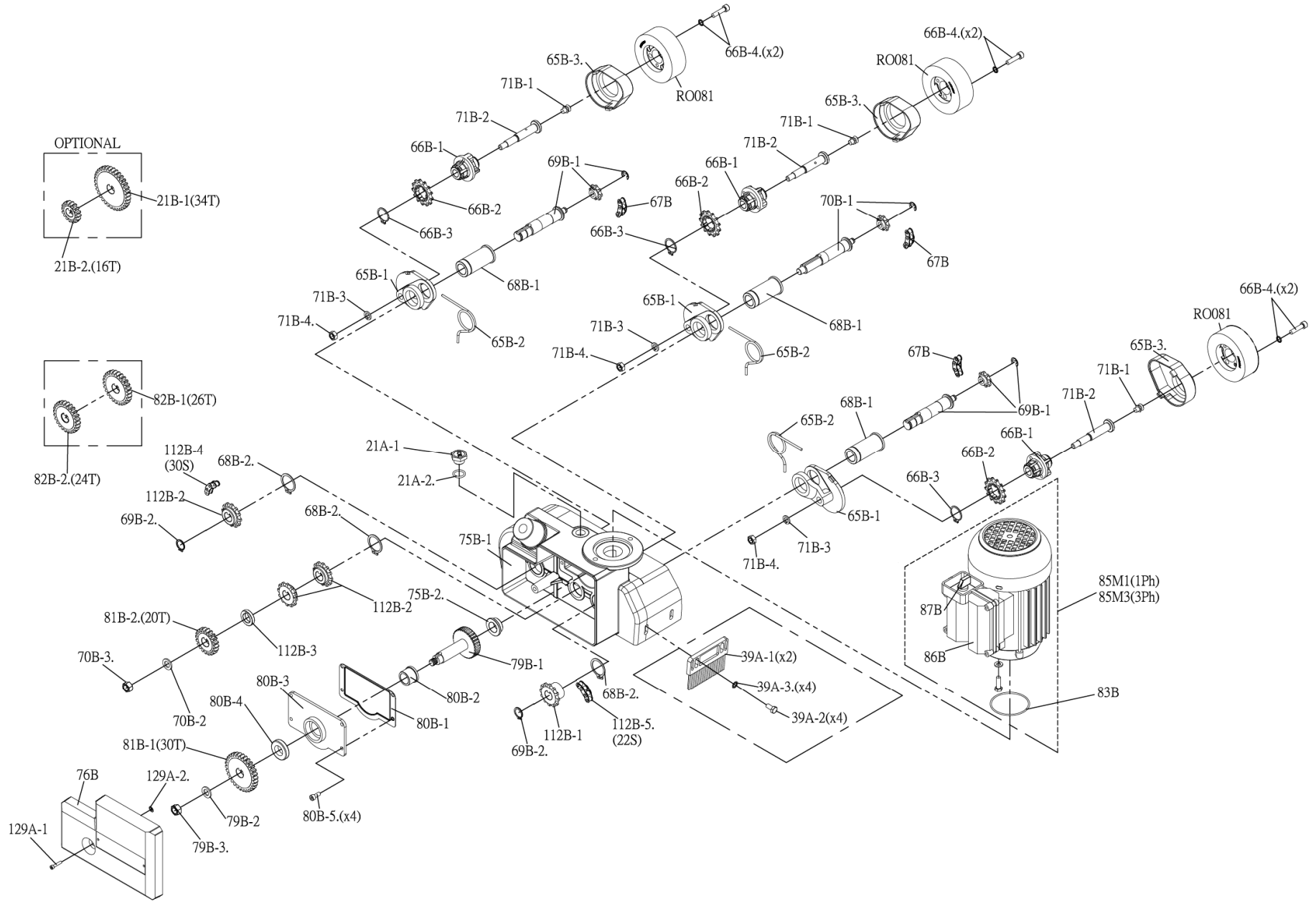
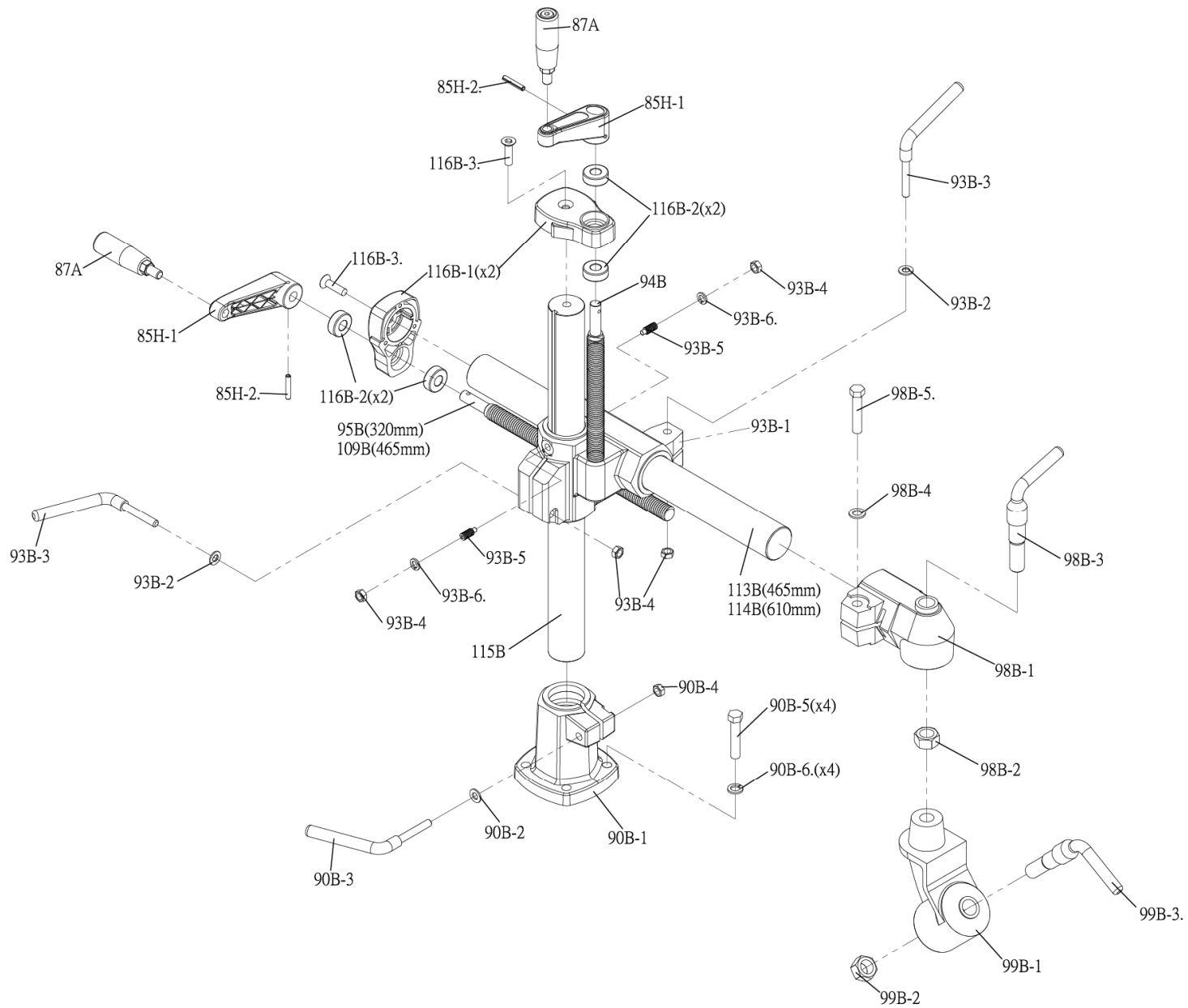


MODEL: AF32(CE) HOUSING ASSEMBLY



Part No.	Code No.	Description	Q'ty	Part No.	Code No.	Description	Q'ty	Part No.	Code No.	Description	Q'ty
21A	21A	Oil-Cap Kit	1	69B-1	G320018A	Sprocket Shaft	1	80B-5.	S070512	Cap Screw	4
21A-1	U010008	Oil Cap	1	69B-2.	N510015	Snap Ring	1	81B	81B	Gear Kit	1
21A-2.	Q010012	"O" Ring	1	70B	70B	Sprocket Shaft Kit	1	81B-1	A500327	Gear	1
21B	21B	GEAR SET	1	70B-1	G320017A	Main Sprocket Shaft	1	81B-2.	A500324	Gear	1
21B-1	A500348	Gear	1	70B-2	N015925	Flat Washer	1	82B	82B	Gear Kit	1
21B-2.	A500349	Gear	1	70B-3.	N11010R	Nut	1	82B-1	A500323	Gear	1
39A	39A	Brush Kit	2	71B	71B	Roller Spindle Kit	3	82B-2.	A500326	Gear	1
39A-1	U010088	Brush	1	71B-1	T315106	Grease Nipple	1	83B	Q010060	O Ring	1
39A-2	S600612	Hex Screw	2	71B-2	G320067	Sprocket Shaft	1	85M1	85M1	Motor w/ Switch	1
39A-3.	N050057	Lock Washer	2	71B-3	N030008	Spring Washer	1	85M3	85M3	Motor w/ Switch	1
65B	65B	Sprocket Case Kit	3	71B-4.	N11008R	Nut	1	86B	U010002	Switch Box Kit	1
65B-1	C020047	Sprocket Case	1	75B	75B	Housing Frame Kit	1	87B	J120020	Switch	1
65B-2	N950003	Spring	1	75B-1	C020051	Housing Frame	1	112B	112B	Transmission Kit	1
65B-3.	U010054	Case Cap	1	75B-2.	A500306	Bushing	1	112B-1	A500303	Sprocket	1
66B	66B	Roller Supporter Kit	3	76B	U010031	Housing Cover Kit	1	112B-2	A500307	Double-Sprocket	3
66B-1	C020334A	Roller Supporter	1	79B	79B	Wormgear Shaft Kit	1	112B-3	A500308	Bushing	1
66B-2	A500336	Sprocket	1	79B-1	G320016	Wormgear Shaft	1	112B-4	K330030	Chain	1
66B-3	N510022	Snap Ring	1	79B-2	N015925	Flat Washer	1	112B-5.	K330022	Chain	1
66B-4.	S060625	Cap Screw	2	79B-3.	N11010R	Nut	1	129A	129A	Cap Screw kit	1
67B	K330018	Chain	3	80B	80B	Wormgear Cover Kit	1	129A-1	S900630	Cap Screw	1
68B	68B	Tube Kit	3	80B-1	U210007	Oil Seal	1	129A-2.	N070616	Disc Washer	1
68B-1	A500331	Tube	1	80B-2	A500302	Bushing	1	RO081	C020302	ROLLER	3
68B-2.	N510026	Snap Ring	1	80B-3	C020322	Wormgear Cover	1				
69B	69B	Sprocket Shaft Kit	2	80B-4	Q021701	Oil Seal	1				

MODEL: US01 LIGHT-DUTY UNIVERSAL STAND



Part No.	Code No.	Description	Q'ty	Part No.	Code No.	Description	Q'ty
85H	85H	Handle Kit	2	98B-3	G020011	Lever	1
85H-1	U010106	Handle	1	98B-4	N015925	Flat Washer	1
85H-2.	N810430	Lock Pin	1	98B-5.	S601050	Hex Screw	1
87A	U010011	Handle-Grip	2	99B	99B	Swivel Cone Kit	1
90B	90B	Base Kit	1	99B-1	A200321	Swivel Cone	1
90B-1	A200326	Column Base	1	99B-2	N11216R	Nut	1
90B-2	N015816	Flat Washer	1	99B-3.	G020011	Lever	1
90B-3	G020012	Set-Lever	1	109B	G320228	Extension Screw	1
90B-4	N11008R	Nut	1	113B	G020118	Extension Arm	1
90B-5	S601050	Hex Screw	4	114B	G020119	Extension Column	1
90B-6.	N030010	Spring Washer	4	115B	G020116	Elevating Arm	1
93B	93B	Elevating Bracket Kit	1	116B	116B	Column Cap Kit	2
93B-1	A200327	Elevating Bracket	1	116B-1	C020122	Column Cape	1
93B-2	N015816	Flat Washer	2	116B-2	A500325	Bushing	2
93B-3	G020012	Set-Lever	2	116B-3.	S200820	Cape Screw	2
93B-4	N11008R	Nut	4				
93B-5	G000006	Set Screw	2				
93B-6.	N030008	Spring Washer	2				
94B	G320092	Elevating Screw	1				
95B	G320091	Extension Screw	1				
96B-1	C020323A	Column Cap	1				
96B-2.	G000005	Set Screw	3				
98B	98B	Overarm Cone Kit	1				
98B-1	A200328	Overarm Cone	1				
98B-2	N11216R	Nut	1				